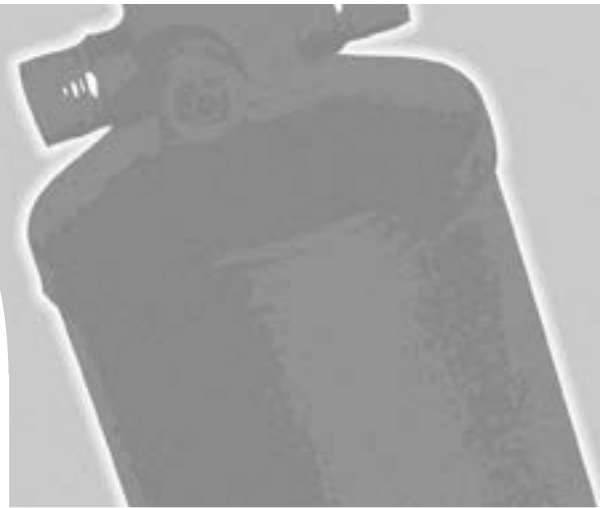




KYSOR
A Division of Bergstrom Inc.

Air Conditioning & Heating
Replacement Parts



Receiver Driers

Receiver Driers 257

Receiver Drier Specifications . . 264

 O-Ring Type Driers.....264

 Quick Disconnect Type Driers.....265

 Flare Type Driers.....265

 Accumulators265





 In-Line Driers 266

Mounting Brackets 266

Service Tips 267



Receiver Driers

<p>Part No. 1910002 Accumulator</p>  <p>Diameter: 3 1/2" Height: 8" Fitting Size: M27 Male Insert O-Ring x M27 Female Insert O-Ring Fuse/Pressure: 12mm Switch Port Port: N/A Glass: N/A Desiccant Level: N/A</p>	<p>Part No. 1910017 Accumulator</p>  <p>Diameter: 3 1/2" Height: 9" Fitting Size: 3/4" Female O-Ring Fuse/Pressure: N/A Port: N/A Glass: N/A Desiccant Level: N/A</p>	<p>Part No. 1910021 Accumulator</p>  <p>Diameter: 3 1/2" Height: 9" Fitting Size: 3/4" Female O-Ring Fuse/Pressure: N/A Port: N/A Glass: N/A Desiccant Level: N/A</p>	<p>Part No. 1910023 Accumulator</p>  <p>Diameter: 3 1/2" Height: 9" Fitting Size: M27 Male Insert O-Ring x M27 Female Insert O-Ring Fuse/Pressure: 12mm Switch Port Port: N/A Glass: N/A Desiccant Level: N/A</p>
---	---	--	---


<p>Part No. 1910024 Accumulator</p>  <p>Diameter: 3 1/2" Height: 9" Fitting Size: 3/4" Male Insert O-Ring x 3/4" Female O-Ring Fuse/Pressure: (2) 1/4" Ports Port: N/A Glass: N/A Desiccant Level: N/A</p>	<p>Part No. 1911009 O-Ring</p>  <p>Diameter: 2 1/2" Height: 8" Fitting Size: 3/8" Male Insert O-Ring Fuse/Pressure: Low Pressure Switch Port: N/A Glass: N/A Desiccant Level: N/A</p>	<p>Part No. 1911010 Accumulator <i>R-12/R-134a Compatible</i></p>  <p>Diameter: 3 1/2" Height: 9 1/2" Fitting Size: 5/8" Male Insert O-Ring x 3/4" Male Insert O-Ring Fuse/Pressure: (2) 12mm Switch Port Port: N/A Glass: N/A Desiccant Level: N/A</p>	<p>Part No. 1911013 Accumulator</p>  <p>Diameter: 3 1/2" Height: 8" Fitting Size: 5/8" Male Insert O-Ring x 3/4" Male Insert O-Ring Fuse/Pressure: Charging Valve, Switch Port Port: N/A Glass: N/A Desiccant Level: N/A</p>
---	--	---	---

<p>Part No. 1911016 Accumulator <i>R-12/R-134a Compatible</i></p>  <p>Diameter: 2 1/2" Height: 10" Fitting Size: 3/8" Male Insert O-Ring Fuse/Pressure: N/A Port: N/A Glass: N/A Desiccant Level: N/A</p> <p><i>with Bracket</i></p>	<p>Part No. 1912001 O-Ring <i>R-12/R-134a Compatible</i></p>  <p>Diameter: 3" Height: 8 1/4" Fitting Size: 3/8" Male O-Ring Inlet x 3/8" Female O-Ring Outlet Fuse/Pressure: Pressure Relief Valve/ Moisture Indicator Port: Top Glass: Top Desiccant Level: 12</p> <p><i>High Capacity</i></p>	<p>Part No. 1912002 O-Ring <i>R-12/R-134a Compatible</i></p>  <p>Diameter: 3" Height: 8 1/4" Fitting Size: 3/8" Male O-Ring Fuse/Pressure: Fuse Plug Port: Top Glass: Top Desiccant Level: 12</p>	<p>Part No. 1912005 O-Ring <i>R-12/R-134a Compatible</i></p>  <p>Diameter: 3" Height: 10" Fitting Size: 3/8" Male O-Ring Fuse/Pressure: Pressure Relief Valve/ Moisture Indicator Port: Top Glass: Top Desiccant Level: 16</p>
--	---	--	--



Part No. 1912007

Quick Disconnect
R-12/R-134a
Compatible



High Capacity

Diameter:	3"
Height:	10 3/32"
Fitting Size:	Quick Disconnect
Fuse/ Pressure:	(2) M10 Gage Ports/ Moisture Indicator
Port:	Top
Glass:	Top
Desiccant Level:	16

Part No. 1912008

O-Ring
R-12/R-134a
Compatible



High Capacity

Diameter:	3"
Height:	10 3/32"
Fitting Size:	3/8" Male O-Ring Inlet x 3/8" Female O-Ring Outlet
Fuse/ Pressure:	(2) M10 Ports/Spring Loaded
Port:	N/A
Glass:	Top
Desiccant Level:	16

Part No. 1912010

Pad Mount
R-134a
Compatible



Diameter:	3"
Height:	10 1/4"
Fitting Size:	3/8" Pad Mount
Fuse/ Pressure:	(2) M10 Switch Ports/Fuse Plug/Moisture Indicator
Port:	Side
Glass:	Top
Desiccant Level:	16

Part No. 1912011

O-Ring
R-134a
Compatible



Diameter:	3"
Height:	10 3/16"
Fitting Size:	Pad Mount
Fuse/ Pressure:	(2) M10 Switch Ports
Port:	Top
Glass:	Top
Desiccant Level:	16

Part No. 1912013

Pad Mount
R-134a
Compatible



Diameter:	4"
Height:	6 3/4"
Fitting Size:	Pad Mount
Fuse/ Pressure:	N/A
Port:	N/A
Glass:	N/A
Desiccant Level:	13

Part No. 1912014


O-Ring
R-134a
Compatible



High Capacity

Diameter:	3"
Height:	10"
Fitting Size:	3/8" Male O-Ring x 3/8" Female O-Ring
Fuse/ Pressure:	(2) MIO Ports
Port:	Top
Glass:	Top
Desiccant Level:	N/A

Part No. 1912015



Diameter:	4"
Height:	6 3/5"
Fitting Size:	N/A
Fuse/ Pressure:	N/A
Port:	N/A
Glass:	N/A
Desiccant Level:	N/A

Part No. 1913001

O-Ring
R-134a
Compatible



Diameter:	3"
Height:	10"
Fitting Size:	11/16" Inlet x 3/8" Outlet Female O-Ring
Fuse/ Pressure:	Pressure Relief Valve
Port:	N/A
Glass:	Top
Desiccant Level:	10

Part No. 1913004

O-Ring
R-12/R-134a
Compatible



Diameter:	3"
Height:	10 3/32"
Fitting Size:	11/16" Female O-Ring
Fuse/ Pressure:	High Pressure Relief Valve
Port:	Top
Glass:	Top
Desiccant Level:	10

Part No. 1913007

Accumulator
R-134a
Compatible



Diameter:	3 5/8"
Height:	9 25/64"
Fitting Size:	Pad Mount
Fuse/ Pressure:	N/A
Port:	N/A
Glass:	N/A
Desiccant Level:	6

Part No. 1913008

Accumulator



Diameter:	3 5/32"
Height:	7 25/32"
Fitting Size:	N/A
Fuse/ Pressure:	N/A
Port:	N/A
Glass:	N/A
Desiccant Level:	4

Part No. 1913009

Accumulator
R-134a
Compatible



Diameter:	N/A
Height:	7 1/10"
Fitting Size:	N/A
Fuse/ Pressure:	N/A
Port:	N/A
Glass:	N/A
Desiccant Level:	4.6

Receiver Driers

Part No. 1913011

Accumulator
R-134a
Compatible



Diameter: N/A
Height: 7 1/10"
Fitting Size: N/A
Fuse/Pressure: N/A
Port: N/A
Glass: N/A
Desiccant Level: N/A

Part No. 1913012

Accumulator
R-134a
Compatible



Diameter: N/A
Height: N/A
Fitting Size: N/A
Fuse/Pressure: N/A
Port: N/A
Glass: N/A
Desiccant Level: N/A

Part No. 1914002

O-Ring
R-12/R-134a
Compatible



Diameter: 3"
Height: 10 3/32"
Fitting Size: 3/8" Male O-Ring
Fuse/Pressure: Fuse Plug/
Gage Port/
Moisture Indicator
Port: N/A
Glass: N/A
Desiccant Level: 12

Part No. 1914003

O-Ring



Diameter: 3"
Height: 10 3/32"
Fitting Size: 3/8" Female O-Ring x
3/8" Male O-Ring
Fuse/Pressure: Moisture Indicator
Port: N/A
Glass: Side Sight
Desiccant Level: 12

Part No. 1914004

Quick Disconnect
R-134a
Compatible



Diameter: 3"
Height: 10 1/8"
Fitting Size: Quick Disconnect
Fuse/Pressure: Moisture Indicator
Port: N/A
Glass: Side
Desiccant Level: N/A

Part No. 1914005

O-Ring



Water Dye

Diameter: 3"
Height: 10 1/10"
Fitting Size: 5/8" Female O-Ring x 5/8"
Male O-Ring
Fuse/Pressure: Moisture Indicator
Port: N/A
Glass: Top
Desiccant Level: 12

Part No. 1914006

Pad Mount
R-12/R-134a
Compatible



Diameter: 3"
Height: 10 7/10"
Fitting Size: 3/8" Tube Female
Fuse/Pressure: N/A
Port: N/A
Glass: N/A
Desiccant Level: 12

Part No. 1914008

Pad Mount
R-134a
Compatible



Diameter: 3"
Height: 10 11/16"
Fitting Size: 3/8" Tube Female
Fuse/Pressure: N/A
Port: N/A
Glass: N/A
Desiccant Level: N/A

Part No. 1914010

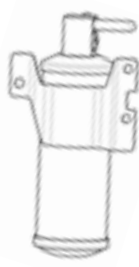
Pad Mount
R-134a
Compatible



Diameter: 3"
Height: 10 7/10"
Fitting Size: N/A
Fuse/Pressure: N/A
Port: N/A
Glass: N/A
Desiccant Level: 12

Part No. 1914011

Pad Mount
R-134a
Compatible



Diameter: 3"
Height: 10 1/5"
Fitting Size: N/A
Fuse/Pressure: N/A
Port: N/A
Glass: N/A
Desiccant Level: 12

Part No. 1914012

O-Ring
R-134a
Compatible



Diameter: 3"
Height: 10 11/16"
Fitting Size: N/A
Fuse/Pressure: N/A
Port: N/A
Glass: N/A
Desiccant Level: 12





Part No. 1915001

O-Ring



Diameter: 3"
Height: 10 3/32"
Fitting Size: 3/8" Male O-Ring
Fuse/Pressure: Pressure Relief/ Valve/
Gage Port/Spring/Moisture
Indicator
Port: Side
Glass: Top
Desiccant Level: 12



Part No. 1915002	Part No. 1915006	Part No. 1917003	Part No. 1917004
 In-Line <i>R-12/R-134a Compatible</i>	 O-Ring	 Accumulator <i>R-134a Compatible</i>	 Accumulator <i>R-134a Compatible</i>
Diameter: 4" Height: 7 25/32" Fitting Size: 3/8" Male O-Ring Inlet x 3/8" Female O-Ring Outlet Fuse/Pressure: N/A Port: N/A Glass: N/A Desiccant Level: 12	Diameter: 3" Height: 10 3/32" Fitting Size: 3/8" Male O-Ring Fuse/Pressure: Schrader Valve/Pressure Relief Valve/Moisture Indicator Port: N/A Glass: Top Desiccant Level: 12	Diameter: 3 1/2" Height: 9 5/64" Fitting Size: 1 1/16" Inlet & Outlet Fuse/Pressure: N/A Port: N/A Glass: N/A Desiccant Level: 12	Diameter: 3 1/2" Height: 9 5/64" Fitting Size: Universal Accumulator Fuse/Pressure: N/A Port: N/A Glass: N/A Desiccant Level: 12

Part No. 1917005	Part No. 1917006	Part No. 1917007	Part No. 1918001
 Pad Mount <i>R-12/R-134a Compatible</i>	 Pad Mount <i>R-12/R-134a Compatible</i>	 Pad Mount <i>R-12/R-134a Compatible</i>	 O-Ring <i>R-12/R-134a Compatible</i>
 Water Dye	 Water Dye	 Water Dye	 Water Dye
Diameter: 3" Height: 10 7/10" Fitting Size: 3/8" Tube Female Fuse/Pressure: N/A Port: N/A Glass: N/A Desiccant Level: 12	Diameter: 3" Height: 10 11/16" Fitting Size: 3/8" Tube Female Fuse/Pressure: N/A Port: N/A Glass: N/A Desiccant Level: 12	Diameter: 3" Height: 10 11/16" Fitting Size: 3/8" Tube Female Fuse/Pressure: N/A Port: N/A Glass: N/A Desiccant Level: 12	Diameter: 3" Height: 9" Fitting Size: 3/8" Male O-Ring (Schrader Ports) Fuse/Pressure: Fuse Plug Port: Side Glass: Top Desiccant Level: 4

Part No. 1918002	Part No. 1918003	Part No. 1918004	Part No. 1918005
 O-Ring <i>R-12/R-134a Compatible</i>	 O-Ring <i>R-12/R-134a Compatible</i>	 O-Ring <i>R-134a Compatible</i>	 O-Ring <i>R-134a Compatible</i>
 High Capacity	 High Capacity	 High Capacity	 High Capacity
Diameter: 3" Height: 9 1/4" Fitting Size: 3/8" Male O-Ring Fuse/Pressure: Moisture Indicator Port: Top Glass: Top Desiccant Level: 12	Diameter: 3" Height: 9 1/5" Fitting Size: 3/8" Male O-Ring Fuse/Pressure: Pressure Relief Valve/ Moisture Indicator Port: N/A Glass: N/A Desiccant Level: 12	Diameter: 3" Height: 9 3/16" Fitting Size: 3/8" Male O-Ring Fuse/Pressure: High Pressure Relief Valve/ Moisture Indicator Port: N/A Glass: N/A Desiccant Level: 12	Diameter: 3" Height: 9 3/16" Fitting Size: 3/8" Male O-Ring Fuse/Pressure: High Pressure Relief Valve/ Moisture Indicator Port: Top Glass: Top Desiccant Level: 12

Receiver Driers

Part No. 1919001



O-Ring
R-12/R-134a
Compatible



Diameter:	3"
Height:	7 7/8"
Fitting Size:	3/8" Male O-Ring
Fuse/ Pressure:	Fuse Plug
Port:	Side
Glass:	Top
Desiccant Level:	N/A

Part No. 1975001



O-Ring
R-12/R-134a
Compatible

Diameter:	3"
Height:	6 3/10"
Fitting Size:	3/8" Male O-Ring
Fuse/ Pressure:	Fuse Plug
Port:	Side
Glass:	Top
Desiccant Level:	6

Part No. 1975002



O-Ring

Diameter:	4"
Height:	6 9/10"
Fitting Size:	3/8" Male O-Ring
Fuse/ Pressure:	Fuse Plug
Port:	N/A
Glass:	Top
Desiccant Level:	9

Part No. 1975003



In-Line
R-12/R-134a
Compatible

Diameter:	2 1/2"
Height:	7 3/5"
Fitting Size:	3/8" Male O-Ring x 3/8" Female O-Ring
Fuse/ Pressure:	Fuse Plug
Port:	N/A
Glass:	N/A
Desiccant Level:	16

Part No. 1975004



O-Ring

Diameter:	2 1/2"
Height:	8"
Fitting Size:	3/8" Male O-Ring x 3/8" Male O-Ring
Fuse/ Pressure:	Fuse Plug
Port:	N/A
Glass:	N/A
Desiccant Level:	6

Part No. 1999003



O-Ring
R-12/R-134a
Compatible



Diameter:	3"
Height:	10"
Fitting Size:	3/8" Male Insert O-Ring
Fuse/ Pressure:	Female Switch Port/ Moisture Indicator/ Pressure Relief Valve
Port:	Side
Glass:	Top
Desiccant Level:	12

Part No. 1999004



Accumulator

Diameter:	3 1/2"
Height:	8"
Fitting Size:	5/8" Male Insert O-Ring
Fuse/ Pressure:	12mm Switch Port/ R-134a Quick Coupler Service Port
Port:	N/A
Glass:	N/A
Desiccant Level:	N/A

Part No. 1999007



O-Ring
R-12/R-134a
Compatible



High Capacity

Diameter:	2 3/4"
Height:	10"
Fitting Size:	3/8" Male O-Ring
Fuse/ Pressure:	High Pressure Relief Valve/ Low Pressure Switch
Port:	Side
Glass:	Top
Desiccant Level:	N/A

Part No. 1999009



O-Ring
R-12/R-134a
Compatible



Diameter:	3"
Height:	8 1/5"
Fitting Size:	3/8" Male O-Ring
Fuse/ Pressure:	Pressure Relief Valve
Port:	N/A
Glass:	N/A
Desiccant Level:	6

Part No. 1999010



O-Ring
R-12/R-134a
Compatible



Diameter:	2 3/4"
Height:	10"
Fitting Size:	3/8" Male O-Ring
Fuse/ Pressure:	Fuse Plug
Port:	Top
Glass:	Side
Desiccant Level:	12

Part No. 1999011



O-Ring
R-12/R-134a
Compatible



High Capacity

Diameter:	2 3/4"
Height:	10"
Fitting Size:	3/8" Male O-Ring (Schrader Port)
Fuse/ Pressure:	Fuse Plug
Port:	Top
Glass:	Side
Desiccant Level:	N/A

Part No. 1999012



O-Ring
R-12/R-134a
Compatible



Diameter:	3"
Height:	8 1/4"
Fitting Size:	3/8" Male O-Ring
Fuse/ Pressure:	N/A
Port:	N/A
Glass:	N/A
Desiccant Level:	12






<p>Part No. 1999013</p> <p>O-Ring R-12/R-134a Compatible</p>  <p><i>with Bracket</i></p> <p>Diameter: 3" Height: 10 3/25" Fitting Size: 3/8" Male O-Ring Fuse/Pressure: Moisture Indicator Port: N/A Glass: N/A Desiccant N/A Level:</p>	<p>Part No. 1999014</p> <p>Accumulator R-134a Compatible</p>  <p>Diameter: 3 1/2" Height: 7 1/2" Fitting Size: 5/8" Female Springlock Fuse/Pressure: Switch Port/Service Port Port: N/A Glass: N/A Desiccant N/A Level:</p>	<p>Part No. 1999016</p> <p>O-Ring R-12/R-134a Compatible</p>  <p><i>High Capacity</i></p> <p>Diameter: 3" Height: 6" Fitting Size: 3/8" Male O-Ring Fuse/Pressure: Fuse Plug Port: Side Glass: Top Desiccant N/A Level:</p>	<p>Part No. 1999022</p> <p>O-Ring R-12/R-134a Compatible</p>  <p><i>High Capacity</i></p> <p>Diameter: 2 3/4" Height: 10" Fitting Size: 3/8" Male O-Ring Fuse/Pressure: Fuse Plug/Trinary Switch Port: Side Glass: Top Desiccant N/A Level:</p>
---	--	---	--

<p>Part No. 1999029</p> <p>Flare R-134a Compatible</p>  <p>Diameter: 2 1/2" Height: 8" Fitting Size: 3/8" Male Flare Fuse/Pressure: N/A Port: N/A Glass: N/A Desiccant 4 Level:</p>	<p>Part No. 1999030</p> <p>Flare R-12 Compatible</p>  <p>Diameter: 3" Height: 6 1/4" Fitting Size: 3/8" Male Flare Fuse/Pressure: Fuse Plug Port: Side Glass: Top Desiccant N/A Level:</p>	<p>Part No. 1999032</p> <p>O-Ring</p>  <p>Diameter: 3" Height: 7 1/2" Fitting Size: 3/8" Male O-Ring Fuse/Pressure: Pressure Relief Valve/Low Pressure Switch Port: N/A Glass: Top Desiccant 4 Level:</p>	<p>Part No. 1999034</p> <p>O-Ring R-12/R-134a Compatible</p>  <p>Diameter: 2 3/4" Height: 9 3/4" Fitting Size: 3/8" Male O-Ring Fuse/Pressure: Fuse Plug/High Pressure Relief Valve Port: Side Glass: Top Desiccant 6 Level:</p>
---	--	---	--

<p>Part No. 1999040</p> <p>O-Ring</p>  <p><i>with Bracket</i></p> <p>Diameter: 2 1/2" Height: 8" Fitting Size: 3/8" Male O-Ring Fuse/Pressure: Gage Port Port: Side Glass: Top Desiccant 8 Level:</p>	<p>Part No. 1999046</p> <p>O-Ring R-134a Compatible</p>  <p>Diameter: 3" Height: 10 7/10" Fitting Size: 3/8" Tube O Female O-Ring Fuse/Pressure: N/A Port: N/A Glass: N/A Desiccant N/A Level:</p>	<p>Part No. 1999203</p> <p>O-Ring R-134a Compatible</p>  <p>Diameter: 3" Height: 8 1/4" Fitting Size: 3/8" Male O-Ring Fuse/Pressure: Pressure Relief Valve Port: Top Glass: Side Desiccant 12 Level:</p>	<p>Part No. 1999204</p> <p>O-Ring</p>  <p>Diameter: 3" Height: 6 3/8" Fitting Size: 3/8" Male O-Ring Fuse/Pressure: Pressure Relief Valve/Moisture Indicator Port: Side Glass: Top Desiccant 11 Level:</p>
--	---	--	---

Receiver Driers

Part No. 1999205	Part No. 1999206	Part No. 1999208	Part No. 1999210
 In-Line	<p><i>No Photo Available</i></p>		<p><i>No Photo Available</i></p>
Diameter: 2 1/2" Height: 9 1/2" Fitting Size: 3/8" Male O-Ring Fuse/Pressure: N/A Port: N/A Glass: N/A Desiccant Level: 12	Diameter: 2 1/2" Height: 5 7/10" Fitting Size: 3/8" Male O-Ring Fuse/Pressure: N/A Port: Top Glass: N/A Desiccant Level: 4	Diameter: N/A Height: N/A Fitting Size: N/A Fuse/Pressure: N/A Port: N/A Glass: N/A Desiccant Level: N/A	<p><i>High Capacity</i></p> Diameter: N/A Height: N/A Fitting Size: N/A Fuse/Pressure: N/A Port: N/A Glass: N/A Desiccant Level: N/A

Part No. 1999212	Part No. 1999213	Part No. 1999214	Part No. 1999215
 In-Line <i>R-12/R-134a Compatible</i>		<p><i>No Photo Available</i></p>	 O-Ring
Diameter: 3 1/2" Height: 9 1/5" Fitting Size: N/A Fuse/Pressure: N/A Port: N/A Glass: N/A Desiccant Level: 39.2	Diameter: 3" Height: 10 1/8" Fitting Size: 3/8" Male O-Ring Fuse/Pressure: Moisture Indicator/Pressure Relief Valve Port: Top Glass: Top Desiccant Level: 14	Diameter: 4" Height: 8 2/5" Fitting Size: 3/8" Male O-Ring Fuse/Pressure: N/A Port: Top Glass: N/A Desiccant Level: 12	Diameter: N/A Height: N/A Fitting Size: N/A Fuse/Pressure: N/A Port: N/A Glass: N/A Desiccant Level: N/A

Part No. 1999220
 O-Ring
Diameter: N/A Height: N/A Fitting Size: N/A Fuse/Pressure: N/A Port: N/A Glass: N/A Desiccant Level: N/A

O-Ring Type Driers

Dia	Height	Fitting Size	Fuse/Pressure	Port	Glass	High Cap.	R12	R134a	Both	Desiccant Level	Part No.
2 1/2"	8"	3/8" Male O-Ring									1911009
3"	8 1/4"	3/8" Male O-Ring Inlet x 3/8" Female O-Ring Outlet	Pressure Relief Valve/ Moisture Indicator	Top	Top	.			.	12	1912001
3"	8 1/4"	3/8" Male O-Ring	Fuse Plug	Top	Top				.	12	1912002
3"	10"	3/8" Male O-Ring	Pressure Relief Valve/ Moisture Indicator	Top	Top				.	16	1912005
3"	10 3/32"	3/8" Male O-Ring Inlet x 3/8" Female O-ring Outlet	(2) M10 Ports/Spring Loaded		Top	.		.		16	1912008
3"	10 1/4"	3/8" Pad Mount	(2) M10 Switch Ports/Fuse Plug/Moisture Indicator	Side	Top			.		16	1912010
3"	10 3/16"	Pad Mount	(2) M10 Switch Ports	Top	Top			.		16	1912011
4"	6 3/4"	Pad Mount						.		13	1912013
3"	10"	3/8" Male O-Ring x 3/8" Female O-Ring	(2) M10 Ports	Top	Top	.		.			1912014
4"	6 3/5"	N/A	N/A								1912015
3"	10"	11/16" Inlet x 3/8" Outlet Female O-Ring	Pressure Relief Valve		Top				.	10	1913001
3"	10 3/32"	11/16 Female O-Ring	High Pressure Relief Valve	Top	Top				.	10	1913004
N/A	N/A	N/A	N/A								1913012
3"	10 3/32"	3/8" Male O-Ring	Fuse Plug/Gage Port/ Moisture Indicator						.	12	1914002
3"	10 3/32"	3/8" Female O-Ring x 3/8" Male O-Ring	Moisture Indicator		Side Sight					12	1914003
3"	10 1/10"	5/8" Female O-Ring x 5/8" Male O-Ring	Moisture Indicator		Top					12	1914005
3"	10 7/10"	3/8" Tube "O" Female Pad Mount	N/A						.	12	1914006
3"	10 11/16"	3/8" Tube Female Pad Mount	N/A					.			1914008
3"	10 7/10"	N/A	N/A							12	1914010
3"	10 1/5"	N/A	N/A							12	1914011
3"	10 11/16"	N/A	N/A							12	1914012
3"	10 3/32"	3/8" Male O-Ring	Pressure Relief Valve/Gage Port/ Spring/Moisture Indicator	Side	Top					12	1915001
3"	10 3/32"	3/8" Male O-Ring	(2) M10 Switch Ports/ Pressure Relief Valve/ Moisture Indicator		Top					12	1915006
3"	10 7/10"	3/8" Tube Female Pad Mount/WaterDye	N/A						.	12	1917005
3"	10 11/16"	3/8" Tube Female Pad Mount/Wafer Dye	N/A						.	12	1917006
3"	10 11/16"	3/8" Tube Female Pad Mount/WaterDye	N/A						.	12	1917007
3"	9"	3/8" Male O-Ring (Schrader Port)	Fuse Plug	Side	Top				.	4	1918001
3"	9 1/4"	3/8" Male O-Ring	Moisture Indicator	Top	Top				.	12	1918002
3"	9 1/5"	3/8" Male O-Ring	Pressure Relief Valve/ Moisture Indicator						.	12	1918003
3"	9 3/16"	3/8" Male O-Ring	High Pressure Relief Valve/ Moisture Indicator					.		12	1918004
3"	9 3/16"	3/8" Male O-Ring	High Pressure Relief Valve/ Moisture Indicator	Top	Top	.		.		12	1918005
3"	7 7/8"	3/8" Male O-Ring	Fuse Plug	Side	Top				.		1919001
3"	6 3/10"	3/8" Male O-Ring	Fuse Plug		Top					6	1975001
4"	6 9/10"	3/8" Male O-Ring	Fuse Plug		Top					9	1975002
2 1/2"	8"	3/8" Male O-Ring x 3/8" Male O-Ring	Fuse Plug							6	1975004
3 1/4"	10"	3/8" Male O-Ring	Female Switch Port/Moisture Indicator/Pressure Relief Valve	Side	Top				.	12	1999003



Receiver Drier Specifications

O-Ring Type Driers

Dia	Height	Fitting Size	Fuse/Pressure	Port	Glass	High Cap.	R12	R134a	Both	Desiccant Level	Part No.
2 3/4"	10"	3/8" Male O-Ring	High Pressure Relief Valve/ Low Pressure Switch	Side	Top				.		1999007
3"	8 1/5"	3/8" Male O-Ring	Pressure Relief Valve							6	1999009
2 3/4"	10"	3/8" Male O-Ring	Fuse Plug	Top	Side				.	12	1999010
2 3/4"	10"	3/8" Male O-Ring (Schrader Port)	Fuse Plug	Top	Side	.			.		1999011
3"	8 1/4"	3/8" Male O-Ring							.	12	1999012
3"	10 3/25"	3/8" Male O-Ring	Moisture Indicator						.		1999013
3"	6"	3/8" Male O-Ring	Fuse Plug	Side	Top	.			.		1999016
2 3/4"	10"	3/8" Male O-Ring	Fuse Plug	Side	Top	.			.		1999022
3"	7 1/2"	3/8" Male O-Ring	Pressure Relief Valve/Low Pressure Switch		Top					4	1999032
2 3/4"	9 3/4"	3/8" Male O-Ring	Fuse Plug/High Pressure Relief Valve	Side	Top				.	6	1999034
2 1/2"	8"	3/8" Male O-Ring	Gage Port	Side	Top					8	1999040
3 7/32"	10 7/10"	3/8" Tube "O" Female O-ring						.		12	1999046
3"	8 1/4"	3/8" Male O-Ring	Pressure Relief Valve	Top	Side			.		12	1999203
3"	6 3/8"	3/8" Male O-Ring	Pressure Relief Valve/ Moisture Indicator	Side	Top			.		11	1999204
N/A	N/A	N/A	N/A								1999208
N/A	N/A	N/A	N/A	N/A	N/A					N/A	1999210
3"	10 1/8"	3/8" Male O-Ring	Pressure Relief Valve/ Moisture Indicator	Top	Top					14	1999213
4"	8 2/5"	3/8" Male O-Ring	N/A	Top						12	1999214
N/A	N/A	N/A	N/A								1999215
N/A	N/A	N/A	N/A	N/A	N/A					N/A	1999220

Quick Disconnect Type Driers

Dia.	Height	Fuse/Pressure	Port	Glass	R12	R134a	Both	Desiccant Level	Part No.
3"	10 3/32"	2 M10 Gage Ports/Moisture Indicator	Top	Top		.		16	1912007
3"	10 1/8"	Moisture Indicator		Side		.			1914004

Flare Type Driers

Dia.	Height	Fitting Size & Fuse/Pressure	Port	Glass	R12	R134a	Both	Desiccant Level	Part No.
2 1/2"	8"	3/8" Male Flare				.		4	1999029
3"	6 1/4"	3/8" Male Flare/Fuse Plug	Side	Top	.				1999030

Accumulators

Dia.	Height	Fitting Size & Fuse/Pressure	Port	Glass	R12	R134a	Both	Desiccant Level	Part No.
3 1/2"	8"	M27 Male Insert O-Ring x M27 Female Insert O-Ring/ 12mm Switch Port							1910002
3 1/2"	9"	3/4" Female O-Ring							1910017
3 1/2"	9"	3/4" Female O-Ring							1910021
3 1/2"	9"	M27 Male Insert O-Ring x M27 Female Insert O-Ring/ 12mm Switch Port							1910023
3 1/2"	9"	3/4" Male Insert O-Ring x 3/4" Female O-Ring/(2) 1/4" Ports							1910024
3 1/2"	9 1/2"	5/8" Male Insert O-Ring x 3/4" Male Insert O-Ring/ (2) 12mm Switch Ports					.		1911010
3 1/2"	8"	5/8" Male Insert O-Ring x 3/4" Male Insert O-Ring/Charging Valve/Switch Ports							1911013





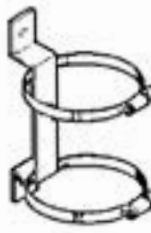
Accumulators

Dia.	Height	Fitting Size & Fuse/Pressure	Port	Glass	R12	R134a	Both	Desiccant Level	Part No.
2 1/2"	10"	3/8" Male Insert O-Ring							1911016
3 5/8"	9 25/64"	Pad Mount				•		6	1913007
3 5/32"	7 25/32"	N/A						4	1913008
N/A	7 1/10"	N/A				•		4.6	1913009
N/A	7 1/10"	N/A				•		4.6	1913011
3 1/2"	9 5/64"	1 1/16" Inlet & Outlet						12	1917003
3 1/2"	9 5/64"	Universal Accumulator						12	1917004
3 1/2"	8"	5/8" Male Insert O-Ring/12mm Switch Port/ R-134a Quick Coupler Service Port							1999004
3 1/2"	7 1/2"	5/8" Female Springlock/Switch Port/Service Port				•			1999014

In-Line Driers

Dia.	Height	Fitting Size & Fuse/Pressure	Port	Glass	R12	R134a	Both	Desiccant Level	Part No.
4"	7 25/32"	3/8" Male O-Ring Inlet x 3/8" Female O-Ring Outlet					•	12	1915002
2 1/2"	7 3/5"	3/8" Male O-Ring x 3/8" Female O-Ring/Fuse Plug					•	16	1975003
2 1/2"	9 1/2"	3/8" Male O-Ring						12	1999205
2 1/2"	5 7/10"	3/8" Male O-Ring	Top					4	1999206
3 1/2"	9 1/5"	N/A					•	39.2	1999212

Receiver Drier Mounting Brackets

Part No. 1999200	Part No. 1999201	Part No. 1999202
 <p><i>For heavy duty applications (accepts 3" diameter Driers)</i></p>	 <p><i>For medium to heavy duty applications (accepts 2 1/2" diameter Driers)</i></p>	 <p><i>Economical model for light duty applications (accepts 2 1/4" - 3" diameter Driers)</i></p>

Receiver Drier Service Tips

The Receiver Drier stores excess refrigerants, filters out contaminants from the HVAC system, and removes moisture to protect the system from internal corrosion.

Service Tips on Receiver Driers

Placement	Placement should be on the high-pressure side and warm to touch during operation.
Visually Inspect for Leaks	Visually inspect fittings; note any oil seepage. This may indicate a leak.
Receiver Drier Replacement	Upon opening the system always replace the receiver Drier with a new, original OEM part.
Fittings	Never leave the fittings uncovered prior to installation.
HVAC System Servicing	The receiver Drier should be the last component replaced during service of the HVAC system.

