

# E Series

BERGSTRÖM ELECTRIFIED

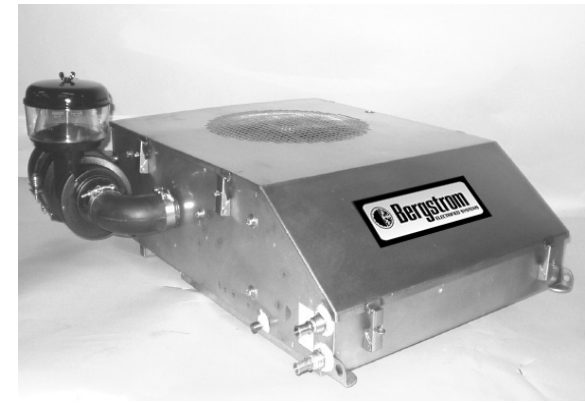
The EC5 is a rooftop package designed for rubber tired vehicles of off highway equipment.

It is a simple, basic unit which has high cooling performance, hot water heating and pressurization as standard.

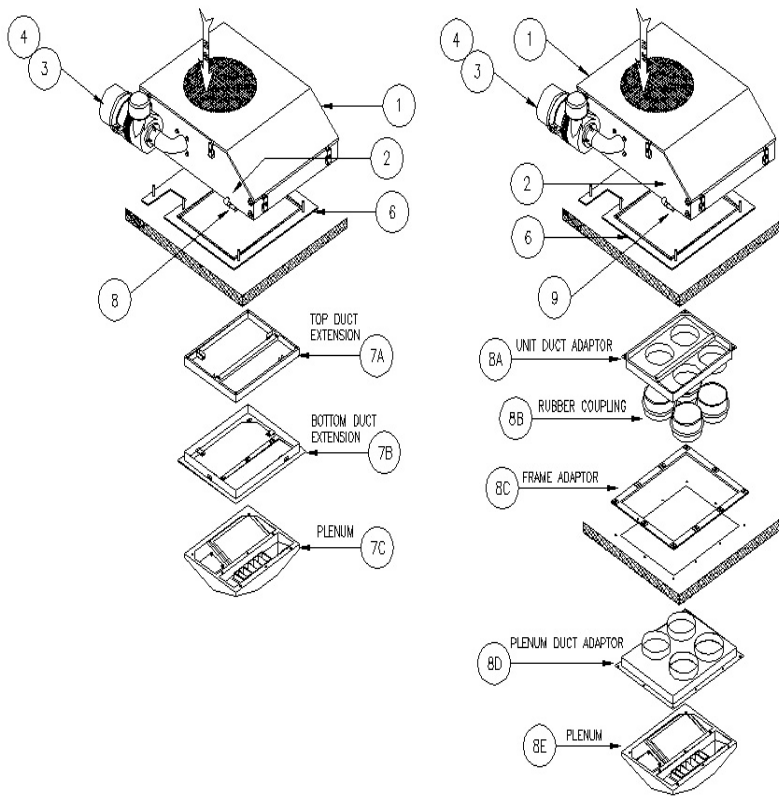
Serviceability is a big factor in the design and all components are easy to get at and replace if necessary. System is designed for 134a and casing is stainless steel.

High efficiency filters are also available.

Compressor is remote and fans are 12 or 24V DC.



**EC5**



**Technical Specifications:**

Model	EC5	
Weight	120 lbs	54 kg
Cooling Capacity	17,500 btu/hr	5.0 kw
Heating-Hot Water	33,000 btu/hr	9.6 kw
Airflow - High	380 cfm	180 l/s
Airflow - Med	320 cfm	150 l/s
Airflow - Low	280 cfm	130 l/s
Pressurization	75 cfm	35 l/s
Condenser Motors	Sealed, Heavy Duty, Serviceable	
Condenser Fans	12"	300mm
Evaporator Motor	Double Shaft, Ball Bearing	
Pressurizer Motor	<b>Single Shaft, Ball Bearing</b>	
Motor Protection	Fuse	
Heater Valve	Electric	

