



KYSOR
A Division of Bergstrom Inc.

Air Conditioning & Heating
Replacement Parts



Clutches

Single Groove 117
Single Groove Specifications 119

Double Groove 120
Double Groove Specifications 122

Multi-Groove 123
Multi-Groove Specifications 125

Clutch Cross-Reference 126

Service Tips 128



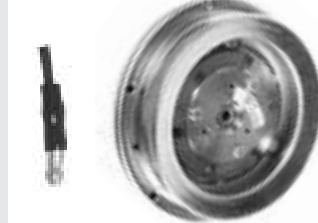
BUS



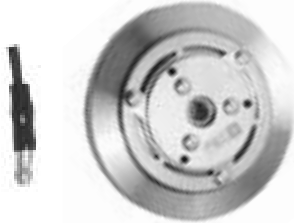
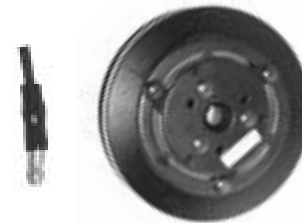
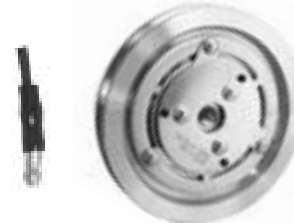
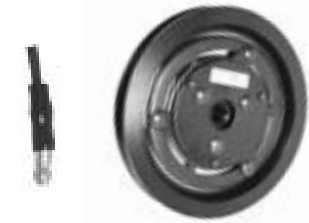
Single Groove

CLUTCHES

<p>Part No. 1310002 Frigidaire, Harrison</p>  <table border="1"> <tr> <td>A (Diameter):</td> <td>5"</td> <td>C (Groove):</td> <td>1/2"</td> </tr> <tr> <td>B:</td> <td>N/A</td> <td>Volts:</td> <td>N/A</td> </tr> </table>	A (Diameter):	5"	C (Groove):	1/2"	B:	N/A	Volts:	N/A	<p>Part No. 1310003 Frigidaire, Harrison</p>  <table border="1"> <tr> <td>A (Diameter):</td> <td>5 5/8"</td> <td>C (Groove):</td> <td>7/16"</td> </tr> <tr> <td>B:</td> <td>N/A</td> <td>Volts:</td> <td>N/A</td> </tr> </table>	A (Diameter):	5 5/8"	C (Groove):	7/16"	B:	N/A	Volts:	N/A	<p>Part No. 1310013 Frigidaire, Harrison</p>  <table border="1"> <tr> <td>A (Diameter):</td> <td>5"</td> <td>C (Groove):</td> <td>1/2"</td> </tr> <tr> <td>B:</td> <td>1 1/4"</td> <td>Volts:</td> <td>N/A</td> </tr> </table>	A (Diameter):	5"	C (Groove):	1/2"	B:	1 1/4"	Volts:	N/A	<p>Part No. 1312001 Tecumseh/CCI</p>  <p>Female Spade</p> <table border="1"> <tr> <td>A (Diameter):</td> <td>6 11/16"</td> <td>C (Groove):</td> <td>1/2"</td> </tr> <tr> <td>B:</td> <td>2 23/32"</td> <td>Volts:</td> <td>12</td> </tr> </table>	A (Diameter):	6 11/16"	C (Groove):	1/2"	B:	2 23/32"	Volts:	12
A (Diameter):	5"	C (Groove):	1/2"																																
B:	N/A	Volts:	N/A																																
A (Diameter):	5 5/8"	C (Groove):	7/16"																																
B:	N/A	Volts:	N/A																																
A (Diameter):	5"	C (Groove):	1/2"																																
B:	1 1/4"	Volts:	N/A																																
A (Diameter):	6 11/16"	C (Groove):	1/2"																																
B:	2 23/32"	Volts:	12																																

<p>Part No. 1313002 Tecumseh/CCI</p>  <table border="1"> <tr> <td>A (Diameter):</td> <td>6 9/32"</td> <td>C (Groove):</td> <td>19/32"</td> </tr> <tr> <td>B:</td> <td>2 23/32"</td> <td>Volts:</td> <td>12</td> </tr> </table>	A (Diameter):	6 9/32"	C (Groove):	19/32"	B:	2 23/32"	Volts:	12	<p>Part No. 1313008 Tecumseh/CCI</p>  <table border="1"> <tr> <td>A (Diameter):</td> <td>6"</td> <td>C (Groove):</td> <td>1/2"</td> </tr> <tr> <td>B:</td> <td>2 23/32"</td> <td>Volts:</td> <td>12</td> </tr> </table>	A (Diameter):	6"	C (Groove):	1/2"	B:	2 23/32"	Volts:	12	<p>Part No. 1314001 Tecumseh/CCI</p>  <p>*Dual Lead Wire</p> <table border="1"> <tr> <td>A (Diameter):</td> <td>6"</td> <td>C (Groove):</td> <td>1/2"</td> </tr> <tr> <td>B:</td> <td>2 27/32"</td> <td>Volts:</td> <td>12</td> </tr> </table>	A (Diameter):	6"	C (Groove):	1/2"	B:	2 27/32"	Volts:	12	<p>Part No. 1399002 Seltec/Diesel Kiki/Zexel</p>  <table border="1"> <tr> <td>A (Diameter):</td> <td>4 15/16"</td> <td>C (Groove):</td> <td>1/2"</td> </tr> <tr> <td>B:</td> <td>1 47/64"</td> <td>Volts:</td> <td>12</td> </tr> </table>	A (Diameter):	4 15/16"	C (Groove):	1/2"	B:	1 47/64"	Volts:	12
A (Diameter):	6 9/32"	C (Groove):	19/32"																																
B:	2 23/32"	Volts:	12																																
A (Diameter):	6"	C (Groove):	1/2"																																
B:	2 23/32"	Volts:	12																																
A (Diameter):	6"	C (Groove):	1/2"																																
B:	2 27/32"	Volts:	12																																
A (Diameter):	4 15/16"	C (Groove):	1/2"																																
B:	1 47/64"	Volts:	12																																

<p>Part No. 1399005 Tecumseh/CCI</p>  <table border="1"> <tr> <td>A (Diameter):</td> <td>6"</td> <td>C (Groove):</td> <td>1/2"</td> </tr> <tr> <td>B:</td> <td>2 47/64"</td> <td>Volts:</td> <td>12</td> </tr> </table>	A (Diameter):	6"	C (Groove):	1/2"	B:	2 47/64"	Volts:	12	<p>Part No. 1399011 Tecumseh/CCI</p>  <p>Single Eyelet</p> <table border="1"> <tr> <td>A (Diameter):</td> <td>6 11/16"</td> <td>C (Groove):</td> <td>1/2"</td> </tr> <tr> <td>B:</td> <td>2 17/64"</td> <td>Volts:</td> <td>12</td> </tr> </table>	A (Diameter):	6 11/16"	C (Groove):	1/2"	B:	2 17/64"	Volts:	12	<p>Part No. 1399013 Tecumseh/CCI</p>  <table border="1"> <tr> <td>A (Diameter):</td> <td>6"</td> <td>C (Groove):</td> <td>1/2"</td> </tr> <tr> <td>B:</td> <td>2 23/32"</td> <td>Volts:</td> <td>12</td> </tr> </table>	A (Diameter):	6"	C (Groove):	1/2"	B:	2 23/32"	Volts:	12	<p>Part No. 1399014 Seltec/Diesel Kiki/Zexel</p>  <table border="1"> <tr> <td>A (Diameter):</td> <td>6 1/4"</td> <td>C (Groove):</td> <td>25/32"</td> </tr> <tr> <td>B:</td> <td>1 7/8"</td> <td>Volts:</td> <td>12</td> </tr> </table>	A (Diameter):	6 1/4"	C (Groove):	25/32"	B:	1 7/8"	Volts:	12
A (Diameter):	6"	C (Groove):	1/2"																																
B:	2 47/64"	Volts:	12																																
A (Diameter):	6 11/16"	C (Groove):	1/2"																																
B:	2 17/64"	Volts:	12																																
A (Diameter):	6"	C (Groove):	1/2"																																
B:	2 23/32"	Volts:	12																																
A (Diameter):	6 1/4"	C (Groove):	25/32"																																
B:	1 7/8"	Volts:	12																																

<p>Part No. 1399017 Tecumseh/CCI</p>  <table border="1"> <tr> <td>A (Diameter):</td> <td>6 11/16"</td> <td>C (Groove):</td> <td>19/32"</td> </tr> <tr> <td>B:</td> <td>1 25/32"</td> <td>Volts:</td> <td>12</td> </tr> </table>	A (Diameter):	6 11/16"	C (Groove):	19/32"	B:	1 25/32"	Volts:	12	<p>Part No. 1399019 Tecumseh/CCI</p>  <table border="1"> <tr> <td>A (Diameter):</td> <td>6 11/16"</td> <td>C (Groove):</td> <td>1/2"</td> </tr> <tr> <td>B:</td> <td>1 25/32"</td> <td>Volts:</td> <td>12</td> </tr> </table>	A (Diameter):	6 11/16"	C (Groove):	1/2"	B:	1 25/32"	Volts:	12	<p>Part No. 1399023 Tecumseh/CCI</p>  <table border="1"> <tr> <td>A (Diameter):</td> <td>6 11/16"</td> <td>C (Groove):</td> <td>9/32"</td> </tr> <tr> <td>B:</td> <td>2 47/64"</td> <td>Volts:</td> <td>12</td> </tr> </table>	A (Diameter):	6 11/16"	C (Groove):	9/32"	B:	2 47/64"	Volts:	12	<p>Part No. 1399026 Tecumseh/CCI</p>  <table border="1"> <tr> <td>A (Diameter):</td> <td>6 11/16"</td> <td>C (Groove):</td> <td>19/32"</td> </tr> <tr> <td>B:</td> <td>3 9/64"</td> <td>Volts:</td> <td>12</td> </tr> </table>	A (Diameter):	6 11/16"	C (Groove):	19/32"	B:	3 9/64"	Volts:	12
A (Diameter):	6 11/16"	C (Groove):	19/32"																																
B:	1 25/32"	Volts:	12																																
A (Diameter):	6 11/16"	C (Groove):	1/2"																																
B:	1 25/32"	Volts:	12																																
A (Diameter):	6 11/16"	C (Groove):	9/32"																																
B:	2 47/64"	Volts:	12																																
A (Diameter):	6 11/16"	C (Groove):	19/32"																																
B:	3 9/64"	Volts:	12																																



Part No. 1399027 Tecumseh/CCI  A (Diameter): 7 11/32" C (Groove): 13/16" B: 1 61/64" Volts: 12	Part No. 1399028 Tecumseh/CCI  A (Diameter): 6 7/8" C (Groove): 1/2" B: 1 5/8" Volts: 24	Part No. 1399031 Tecumseh/CCI  A (Diameter): 6 3/4" C (Groove): 1/2" B: 1 25/32" Volts: 12	Part No. 1399035 Tecumseh/CCI  A (Diameter): 6 3/4" C (Groove): 1/2" B: 1 25/32" Volts: 24
--	--	---	--

Part No. 1399036 Tecumseh/CCI  A (Diameter): 7 1/4" C (Groove): 25/32" B: N/A Volts: 24	Part No. 1399060 Tecumseh/CCI  A (Diameter): 6 11/16" C (Groove): 13/16" B: 3 3/64" Volts: 12	Part No. 1399061 Tecumseh/CCI  A (Diameter): 7 1/4" C (Groove): 1/2" B: 3 1/8" Volts: 24	
---	---	---	---

Single Groove



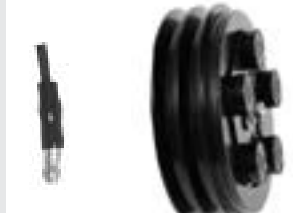

Single Groove Specifications

A (Diameter)	B	C (Groove)	Volts	Notes	OEM No.	Part No.
Frigidaire, Harrison						
5"	N/A	1/2"	N/A	Frigidaire, Harrison	N/A	1310002
5 5/8"	N/A	7/16"	N/A	Frigidaire, Harrison	N/A	1310003
5"	1 1/4"	1/2"	N/A	Frigidaire, Harrison	N/A	1310013
Blissfield/Tecumseh/CCI						
12V						
6 11/16"	2 23/32"	1/2"	12	Blissfield/Tecumseh/CCI	502393	1312001
6 9/32"	2 23/32"	19/32"	12	Blissfield/Tecumseh/CCI	515528	1313002
6"	2 23/32"	1/2"	12	Blissfield/Tecumseh/CCI	503887	1313008
6"	2 27/32"	1/2"	12	Blissfield/Tecumseh/CCI	14533	1314001*
6"	2 47/64"	1/2"	12	Blissfield/Tecumseh/CCI	502409	1399005
6 11/16"	2 17/64"	1/2"	12	Blissfield/Tecumseh/CCI	501280	1399011
6"	2 23/32"	1/2"	12	Blissfield/Tecumseh/CCI	508888	1399013
6 11/16"	1 25/32"	19/32"	12	Blissfield/Tecumseh/CCI	502731	1399017
6 11/16"	1 25/32"	1/2"	12	Blissfield/Tecumseh/CCI	502730	1399019
6 11/16"	2 47/64"	19/32"	12	Blissfield/Tecumseh/CCI	502736	1399023
6 11/16"	3 9/64"	19/32"	12	Blissfield/Tecumseh/CCI	502741	1399026
7 11/32"	1 61/64"	13/16"	12	Blissfield/Tecumseh/CCI	502400	1399027
6 3/4"	1 25/32"	1/2"	12	Blissfield/Tecumseh/CCI	1466-72	1399031
6 11/16"	3 3/64"	13/16"	12	Blissfield/Tecumseh/CCI	508821	1399060
24V						
6 7/8"	1 5/8"	1/2"	24	Blissfield/Tecumseh/CCI	1466-84	1399028
6 3/4"	1 25/32"	1/2"	24	Blissfield/Tecumseh/CCI	1466-71	1399035
7 1/4"	N/A	25/32"	24	Blissfield/Tecumseh/CCI	N/A	1399036
7 1/4"	3 1/8"	1/2"	24	Blissfield/Tecumseh/CCI	1466-74	1399061
Seltec/Diesel Kiki/Zexel						
12V						
4 15/16"	1 47/64"	1/2"	12	Seltec/Diesel Kiki/Zexel	N/A	1399002
6 1/4"	1 7/8"	25/32"	12	Seltec/Diesel Kiki/Zexel	N/A	1399014


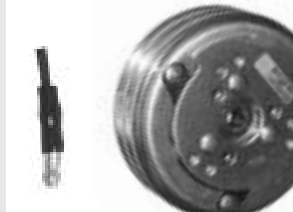
* Dual Lead Wire

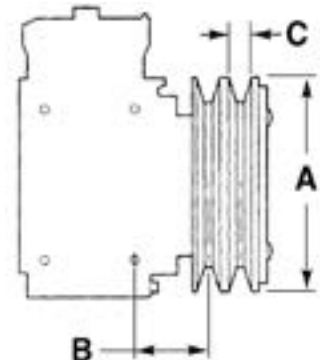


<p>Part No. 1313005 Tecumseh/CCI</p>  <p>A (Diameter): 6" C (Groove): 1/2" B: 1 41/64" Volts: 12</p>	<p>Part No. 1313006 Tecumseh/CCI</p>  <p>A (Diameter): 6" C (Groove): 1/2" B: 2 23/32" Volts: 12</p>	<p>Part No. 1380001 Tecumseh/CCI</p>  <p>A (Diameter): 6" C (Groove): 1/2" B: 3/16" Volts: 12</p>	<p>Part No. 1380002 Tecumseh/CCI</p>  <p>A (Diameter): 6" C (Groove): 1/2" B: 2 5/16" Volts: 12</p>
--	--	--	---

<p>Part No. 1380003 Tecumseh/CCI</p>  <p>A (Diameter): 6" C (Groove): 1/2" B: 1 41/64" Volts: 12</p>	<p>Part No. 1380008 Seltec/Diesel Kiki/Zexel</p>  <p>A (Diameter): 6" C (Groove): 1/2" B: N/A Volts: 12</p>	<p>Part No. 1380009 Seltec/Diesel Kiki/Zexel</p>  <p>A (Diameter): 6" C (Groove): 1/2" B: N/A Volts: 24</p>	<p>Part No. 1380010 Seltec/Diesel Kiki/Zexel</p>  <p>A (Diameter): 6 1/5" C (Groove): 3/5" B: N/A Volts: 12</p>
--	---	--	---


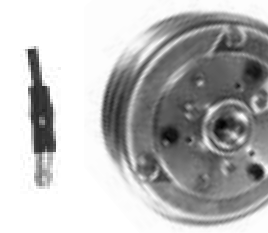
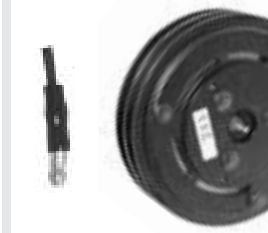
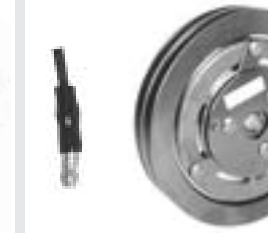
<p>Part No. 1380011 Seltec/Diesel Kiki/Zexel</p>  <p>A (Diameter): 6 1/5" C (Groove): 3/5" B: N/A Volts: 24</p>	<p>Part No. 1399003 Tecumseh/CCI</p>  <p>A (Diameter): 6" C (Groove): 1/2" B: 1 41/64" Volts: 12</p>	<p>Part No. 1399004 Tecumseh/CCI</p>  <p>A (Diameter): 7" C (Groove): 1/2" B: 1 41/64" Volts: 12</p>	<p>Part No. 1399007 Tecumseh/CCI</p>  <p>A (Diameter): 6" C (Groove): 1/2" B: 1 5/8" Volts: 12</p>
---	--	---	--

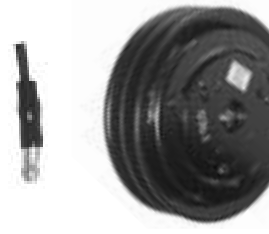

<p>Part No. 1399039 Seltec/Diesel Kiki/Zexel</p> <p>No Photo Available</p> <p>A (Diameter): 5 5/16" C (Groove): 1/2" B: N/A Volts: 24</p>	<p>Part No. 1399041 Sanden</p>  <p>A (Diameter): 5 1/4" C (Groove): 1/2" B: 2" Volts: 12</p>	<p>Part No. 1399042 Sanden</p>  <p>A (Diameter): 5 1/2" C (Groove): 1/2" B: 41/64" Volts: 12</p>
---	--	---



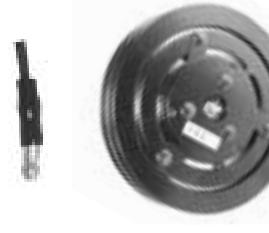
Double Groove

CLUTCHES

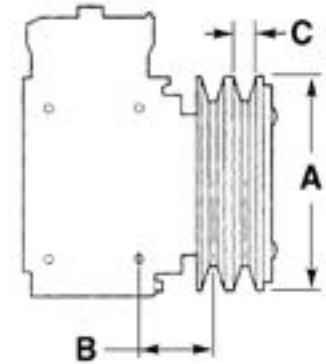
<p>Part No. 1399043 Sanden</p>  <table border="1"> <tr> <td>A (Diameter):</td> <td>5 1/4"</td> <td>C (Groove):</td> <td>1/2"</td> </tr> <tr> <td>B:</td> <td>2"</td> <td>Volts:</td> <td>24</td> </tr> </table>	A (Diameter):	5 1/4"	C (Groove):	1/2"	B:	2"	Volts:	24	<p>Part No. 1399044 Seltec/Diesel Kiki/Zexel</p>  <table border="1"> <tr> <td>A (Diameter):</td> <td>5 5/16"</td> <td>C (Groove):</td> <td>1/2"</td> </tr> <tr> <td>B:</td> <td>1 5/64"</td> <td>Volts:</td> <td>12</td> </tr> </table>	A (Diameter):	5 5/16"	C (Groove):	1/2"	B:	1 5/64"	Volts:	12	<p>Part No. 1399045 Seltec/Diesel Kiki/Zexel</p>  <table border="1"> <tr> <td>A (Diameter):</td> <td>6"</td> <td>C (Groove):</td> <td>1/2"</td> </tr> <tr> <td>B:</td> <td>1 41/64"</td> <td>Volts:</td> <td>24</td> </tr> </table>	A (Diameter):	6"	C (Groove):	1/2"	B:	1 41/64"	Volts:	24	<p>Part No. 1399046 Tecumseh/CCI</p>  <table border="1"> <tr> <td>A (Diameter):</td> <td>7"</td> <td>C (Groove):</td> <td>1/2"</td> </tr> <tr> <td>B:</td> <td>1 41/64"</td> <td>Volts:</td> <td>12</td> </tr> </table>	A (Diameter):	7"	C (Groove):	1/2"	B:	1 41/64"	Volts:	12
A (Diameter):	5 1/4"	C (Groove):	1/2"																																
B:	2"	Volts:	24																																
A (Diameter):	5 5/16"	C (Groove):	1/2"																																
B:	1 5/64"	Volts:	12																																
A (Diameter):	6"	C (Groove):	1/2"																																
B:	1 41/64"	Volts:	24																																
A (Diameter):	7"	C (Groove):	1/2"																																
B:	1 41/64"	Volts:	12																																

<p>Part No. 1399048 Tecumseh/CCI</p>  <table border="1"> <tr> <td>A (Diameter):</td> <td>6"</td> <td>C (Groove):</td> <td>1/2"</td> </tr> <tr> <td>B:</td> <td>1 11/16"</td> <td>Volts:</td> <td>24</td> </tr> </table>	A (Diameter):	6"	C (Groove):	1/2"	B:	1 11/16"	Volts:	24	<p>Part No. 1399068 Sanden</p>  <table border="1"> <tr> <td>A (Diameter):</td> <td>4 59/64"</td> <td>C (Groove):</td> <td>5/8"</td> </tr> <tr> <td>B:</td> <td>2 5/32"</td> <td>Volts:</td> <td>12</td> </tr> </table>	A (Diameter):	4 59/64"	C (Groove):	5/8"	B:	2 5/32"	Volts:	12	<p>Part No. 1399073 Sanden</p> <p style="text-align: center;"><i>No Photo Available</i></p> <table border="1"> <tr> <td>A (Diameter):</td> <td>5"</td> <td>C (Groove):</td> <td>1/2"</td> </tr> <tr> <td>B:</td> <td>2 1/10"</td> <td>Volts:</td> <td>12</td> </tr> </table>	A (Diameter):	5"	C (Groove):	1/2"	B:	2 1/10"	Volts:	12	<p>Part No. 1399076 Sanden</p> <p style="text-align: center;"><i>No Photo Available</i></p> <table border="1"> <tr> <td>A (Diameter):</td> <td>5 1/5"</td> <td>C (Groove):</td> <td>1/2"</td> </tr> <tr> <td>B:</td> <td>1 3/5"</td> <td>Volts:</td> <td>12</td> </tr> </table>	A (Diameter):	5 1/5"	C (Groove):	1/2"	B:	1 3/5"	Volts:	12
A (Diameter):	6"	C (Groove):	1/2"																																
B:	1 11/16"	Volts:	24																																
A (Diameter):	4 59/64"	C (Groove):	5/8"																																
B:	2 5/32"	Volts:	12																																
A (Diameter):	5"	C (Groove):	1/2"																																
B:	2 1/10"	Volts:	12																																
A (Diameter):	5 1/5"	C (Groove):	1/2"																																
B:	1 3/5"	Volts:	12																																

Part No. 1399086
Tecumseh/CCI



A (Diameter):	7"	C (Groove):	1/2"
B:	1 41/64"	Volts:	24



Double Groove Specifications

A (Diameter)	B	C (Groove)	Volts	Notes	OEM No.	Part No.
Blissfield/Tecumseh/CCI						
12V						
6"	1 41/64"	1/2"	12	Blissfield/Tecumseh/CCI	332639	1313005
6"	2 23/32"	1/2"	12	Blissfield/Tecumseh/CCI	511204	1313006
6"	3/16"	1/2"	12	Blissfield/Tecumseh/CCI	501939	1380001
6"	2 5/16"	1/2"	12	Blissfield/Tecumseh/CCI	522582	1380002
6"	1 41/64"	1/2"	12	Blissfield/Tecumseh/CCI	332639	1380003
6"	1 41/64"	1/2"	12	Blissfield/Tecumseh/CCI		1399003
7"	1 41/64"	1/2"	12	Blissfield/Tecumseh/CCI	502742	1399004
6"	1 5/8"	1/2"	12	Blissfield/Tecumseh/CCI	522582	1399007
7"	1 41/64"	1/2"	12	Blissfield/Tecumseh/CCI	332334	1399046
24V						
6"	1 11/16"	1/2"	24	Blissfield/Tecumseh/CCI	506121	1399048
7"	1 41/64"	1/2"	24	Blissfield/Tecumseh/CCI	501075	1399086
Sanden						
12V						
5 1/4"	2"	1/2"	12	Sanden	6511-6210	1399041
5 1/4"	41/64"	1/2"	12	Sanden	8517-6014	1399042
4 59/64"	2 5/32"	5/8"	12	Sanden	4695-9931	1399068
5"	2 1/10"	1/2"	12	Sanden	4419-9931	1399073
5 1/5"	1 3/5"	1/2"	12	Sanden	4434-9931	1399076
24V						
5 1/4"	2"	1/2"	24	Sanden	6519-6210	1399043
Seltec/Diesel Kiki/Zexel						
12V						
6"	N/A	1/2"	12	Seltec/Diesel Kiki/Zexel	N/A	1380008
6 1/5"	N/A	3/5"	12	Seltec/Diesel Kiki/Zexel	N/A	1380010
5 5/16"	15/64"	1/2"	12	Seltec/Diesel Kiki/Zexel		1399044
24V						
6"	N/A	1/2"	24	Seltec/Diesel Kiki/Zexel	N/A	1380009
6 1/5"	N/A	3/5"	24	Seltec/Diesel Kiki/Zexel	N/A	1380011
5 5/16"	N/A	1/2"	24	Seltec/Diesel Kiki/Zexel	524-19723	1399039
6"	1 41/64"	1/2"	24	Seltec/Diesel Kiki/Zexel	N/A	1399045

CLUTCHES



Multi-Groove

CLUTCHES

Part No. 1310007

Frigidaire, Harrison



A (Diameter):	4 1/4"	C (Groove):	7/8"
B:	N/A	Volts:	N/A
6 Grooves			

Part No. 1310009

Frigidaire, Harrison



A (Diameter):	4 1/4"	C (Groove):	7/8"
B:	N/A	Volts:	N/A
6 Grooves			

Part No. 1310010

Frigidaire, Harrison



A (Diameter):	5"	C (Groove):	7/8"
B:	N/A	Volts:	N/A
6 Grooves			

Part No. 1310016

Frigidaire, Harrison



A (Diameter):	4 1/4"	C (Groove):	7/8"
B:	N/A	Volts:	N/A
6 Grooves			

Part No. 1312002

Tecumseh/CCI



A (Diameter):	6"	C (Groove):	9/64"
B:	2 3/8"	Volts:	12
6 Grooves			

Part No. 1312003

Tecumseh/CCI



A (Diameter):	5 3/4"	C (Groove):	7/50"
B:	2"	Volts:	12
6 Grooves			

Part No. 1313001

Tecumseh/CCI



A (Diameter):	6 1/8"	C (Groove):	7/50"
B:	N/A	Volts:	12
6 Grooves			

Part No. 1380004

Tecumseh/CCI



*Dual Lead Wire

A (Diameter):	5 13/16"	C (Groove):	9/64"
B:	1 5/8"	Volts:	12
6 Grooves			

Part No. 1380005

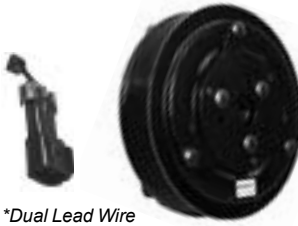
Tecumseh/CCI



A (Diameter):	5 13/16"	C (Groove):	9/64"
B:	2 1/8"	Volts:	12
6 Grooves			

Part No. 1380006

Tecumseh/CCI



*Dual Lead Wire

A (Diameter):	5 13/16"	C (Groove):	9/64"
B:	1 15/16"	Volts:	12
8 Grooves			

Part No. 1380007

Tecumseh/CCI



A (Diameter):	5 9/32"	C (Groove):	1"
B:	1 29/32"	Volts:	12
8 Grooves			

Part No. 1380012

Seltec/Diesel Kiki/Zexel



A (Diameter):	6 9/64"	C (Groove):	9/64"
B:	N/A	Volts:	12
8 Grooves			

Part No. 1380013

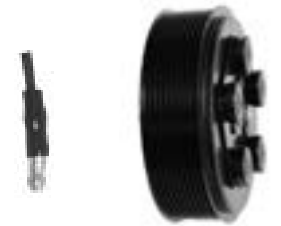
Seltec/Diesel Kiki/Zexel



A (Diameter):	6 9/64"	C (Groove):	9/64"
B:	N/A	Volts:	24
8 Grooves			

Part No. 1380014

Seltec/Diesel Kiki/Zexel



A (Diameter):	6 9/64"	C (Groove):	9/64"
B:	N/A	Volts:	12
10 Grooves			

Part No. 1380015

Seltec/Diesel Kiki/Zexel



A (Diameter):	6 9/64"	C (Groove):	9/64"
B:	N/A	Volts:	24
10 Grooves			


Part No. 1399006

Tecumseh/CCI



A (Diameter):	5 2/5"	C (Groove):	1/10"
B:	N/A	Volts:	12
8 Grooves			

Part No. 1399008
Tecumseh/CCI



**Dual Lead Wire*

A (Diameter):	6"	C (Groove):	9/64"
B:	2"	Volts:	12

6 Grooves

Part No. 1399009
Tecumseh/CCI



A (Diameter):	5 13/16"	C (Groove):	9/64"
B:	1 5/8"	Volts:	12

8 Grooves


Part No. 1399051
Ford



A (Diameter):	5"	C (Groove):	7/8"
B:	3/4"	Volts:	12

6 Grooves

Part No. 1399054
Ford



A (Diameter):	5 3/8"	C (Groove):	1 (Groove): 1/16"
B:	N/A	Volts:	N/A

8 Grooves


Part No. 1399059
Sanden



A (Diameter):	4 11/16"	C (Groove):	27/32"
B:	1 5/64"	Volts:	12

7 Grooves

Part No. 1399067
Sanden



**Dual Lead Wire*

A (Diameter):	4 11/16"	C (Groove):	9/64"
B:	N/A	Volts:	12

8 Grooves

Part No. 1399070
Sanden



A (Diameter):	4 11/16"	C (Groove):	9/64"
B:	1 9/10"	Volts:	12

8 Grooves

Part No. 1399071
Sanden

No Photo Available

A (Diameter):	4 11/16"	C (Groove):	9/64"
B:	1 3/10"	Volts:	24

8 Grooves

Part No. 1399075
Sanden



A (Diameter):	4 59/64"	C (Groove):	9/64"
B:	2"	Volts:	12

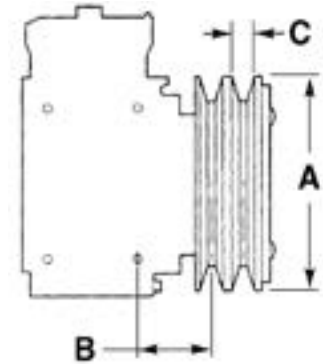
10 Grooves

Part No. 1399078
Sanden

No Photo Available

A (Diameter):	5 1/4"	C (Groove):	9/64"
B:	1 3/10	Volts:	12

8 Grooves



Multi-Groove

Multi-Groove Specifications

A (Diameter)	B	C (Groove)	Number of Grooves	Volts	Notes	OEM No.	Part No.
Frigidaire, Harrison							
4 1/4"	N/A	7/8"	6	N/A	Frigidaire, Harrison	N/A	1310007
4 1/4"	N/A	7/8"	6	N/A	Frigidaire, Harrison	N/A	1310009
5"	N/A	7/8"	6	N/A	Frigidaire, Harrison	N/A	1310010
4 1/4"	N/A	7/8"	6	N/A	Frigidaire, Harrison	N/A	1310016
Blissfield/Tecumseh/CCI							
12V							
6"	2 3/8"	9/64"	6	12	Blissfield/Tecumseh/CCI	518521	1312002
5 3/4"	2"	7/50"	6	12	Blissfield/Tecumseh/CCI	522583	1312003
6 1/8"	N/A	7/50"	6	12	Blissfield/Tecumseh/CCI	520226	1313001
5 13/16"	1 5/8"	9/64"	6	12	Blissfield/Tecumseh/CCI	522583	1380004
5 13/16"	2 1/8"	9/64"	6	12	Blissfield/Tecumseh/CCI	520226	1380005
5 13/16"	1 15/16"	9/64"	8	12	Blissfield/Tecumseh/CCI	522584	1380006
5 9/32"	1 29/32	9/64"	8	12	Blissfield/Tecumseh/CCI	515376	1380007
5 2/5"	N/A	1/10"	8	12	Blissfield/Tecumseh/CCI	515376	1399006
6"	2"	9/64"	6	12	Blissfield/Tecumseh/CCI	14432	1399008*
5 13/16"	1 5/8"	9/64"	8	12	Blissfield/Tecumseh/CCI	522584	1399009
Ford							
5"	3/4"	7/8"	6	12	Ford	N/A	1399051
5 3/8"	N/A	1 1/16"	8	N/A	Ford	N/A	1399054
Sanden							
12V							
4 11/16"	1 5/64"	27/32"	7	12	Sanden	6520-6010	1399059
4 11/16"	N/A	9/64"	8	12	Sanden	4767-9931	1399067
4 11/16"	1 9/10"	9/64"	8	12	Sanden	4420-9931	1399070
4 59/64" (125mm)	2"	9/64"	10	12	Sanden	4872-9930	1399075
5 1/4" (132mm)	1 3/10"	9/64"	8	12	Sanden	4874-9932	1399078
24V							
4 11/16"	1 3/10"	9/64"	8	24	Sanden	4866-9938	1399071
Seltec/Diesel Kiki/Zexel							
12V							
6 9/64"	N/A	9/64"	8	12	Seltec/Diesel Kiki/Zexel	N/A	1380012
6 9/64"	N/A	9/64"	10	12	Seltec/Diesel Kiki/Zexel	N/A	1380014
24V							
6 9/64"	N/A	9/64"	8	24	Seltec/Diesel Kiki/Zexel	N/A	1380013
6 9/64"	N/A	9/64"	10	24	Seltec/Diesel Kiki/Zexel	N/A	1380015



Clutch Part Number Cross-Reference

Part No.	International	Ogura	CCI	Pitts	Truck Air	Euclid	Everco	Air Source	Red Dot	Red Dot OE
1313002	2016403C2	515528		14196	02-0806	E-802561		5032		
1313006	1669745C91	511204		14216		E-802547		5097		
1314001	ZGG704001			14533						
1380001	1647566C91	501939	024-21590	14261/14192	02-3001	E-802501	904236	5044	RD5-4972-0	75R1202
1380002	ZGG19776	522582	024-25238	14437						
1380003	ZGG11566	332639								
1380003	ZGG12135	332639								
1380004	ZGG19323	522583	024-25241	14565						
1380006	ZGG19841	522584	024-25247	14372						
1380007	1818128C1	515376	024-25171	14195				5029		
1399002	ZGG16355	511869			02-3039	E-802254	904242	5056	RD5-6646-0	75R0182
1399004	1669746C91	502742		14193	02-3000	E-802500	904412	5041	RD5-4987-0	73R3452
1399005	481800C91			14190						
1399005	ZGG19311	502409	024-21942	14262,14190	02-3026	E-802516	904346	5031	RD5-4966-0	75R0302
1399008	ZGG704000		024-25244	14432						
1399013	1653480C92	508888		14191	02-0802					
1399014	ZGG16360	511489								
1399017	ZGG11549	502731			02-3007	E-802520	904360	5036	RD5-4975-0	75R1652
1399019	ZGG11548	502730		10581	02-3021	E-802519	904390	5040	RD5-4974-0	75R1502
1399023	ZGG11557	502736		10591	02-3009	E-802524	904364	5037	RD5-4976-0	75R1802
1399026	ZGG11562	502741		10596	02-3012	E-802529		5039	RD5-4981-0	75R2552
1399027	1676659C91	502400		10761	02-3015	E-802511	904372	5063	RD5-4995-0	75R4652
1399042	ZGG11207	509285			02-3065	E-802145	904204	5057	RD5-5486-0	75R0202
1399046	ZGG12136	332334		11153, 12455				5041	RD5-4994-0	75R4502
1399060	ZGG12293	508821		11947	02-1605	E-802542	904312		RD5-4991-0	75R4052
1399064	1676660C91	502393		10586	02-3005	E-802508	904354	5096	RD5-4984-0	75R3002

CLUTCHES



Clutch Cross-Reference

Clutch Part Number Cross-Reference (continued)

CLUTCHES

Part No.	Delco	Warner	Volvo	Kenworth	Peterbilt	Mack	Ford	Freightliner
1313002								
1313006						IMX246		
1314001								
1380001	15-4120	1411-39, 1406-21		K332-19, K332-24	18-01210	IMX240	C7AZ-2884-B	024-25190
1380002								
1380003								
1380003								
1380004				K332-59-7				024-25241
1380006								024-25247
1380007								
1399002								
1399004	14-4121	1411-41, 1466-22		K332-29	18-01866	IMX246		A22-22498-000
1399005								
1399005				K332-62-2		1MX41281		024-21942
1399008								
1399013								
1399014								
1399017			02-7010496	K332-40	18-01843, 18-02567	IMXA3217		A22-22499
1399019	15-4248	1406-39	61103-0044					
1399023	15-4124	1406-43	02-7001224	K332-43, K332-26	18-01212, 18-02570	208R031		A22-11669
1399026	15-4125	1406-44		K332-32		1MX3217		
1399027	15-4246	1406-97		K332-25		IMXA1279		A22-10761
1399042			V1110272					
1399046	15-4148	1411-15, 1411-72	61103-3606	K332-23, K332-29		1MX2416		
1399060			61103-0004					
1399064	15-4254	1406-23, 1411-70	V8889022				D4FZ-2884	A22-111671-000

