



KYSOR

A Division of Bergstrom Inc.

Air Conditioning & Heating
Replacement Parts

Bergstrom Electrified Systems



**Bergstrom Electrified
Systems 445**

F Series 447

- FVV50 Pressurizer 447
- FVV60 Pressurizer 447
- FVV150 Pressurizer 448
- FVW 100 449
- FVF120 450

M Series 451

- MPV5 451
- MPV9 451
- MPV9 453
- MPV5 454

T Series 455

- TDR5 455
- TCR6 456
- FFR6 457
- TPR6 458
- TPW5 459
- TBV6 460

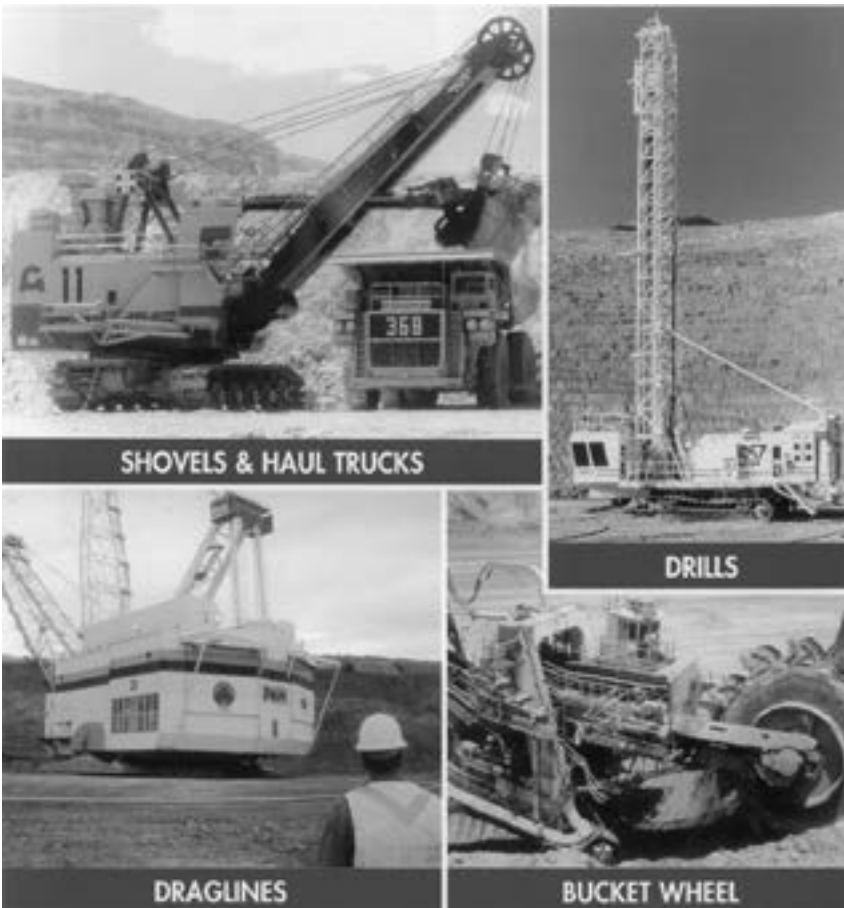
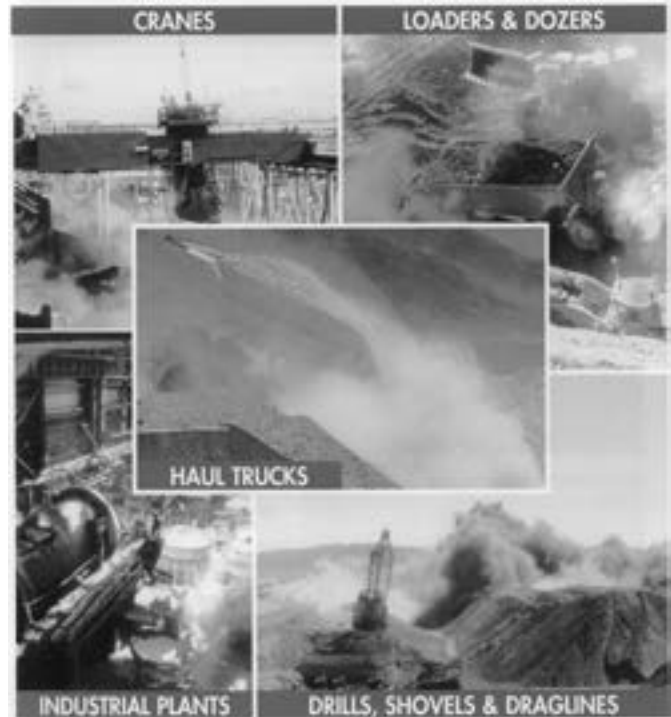
Innovative Products for the Mining, Industrial, and Defense Industries

Bergstrom Electrified Systems has been designing and manufacturing main powered self-contained electric air conditioning equipment for over 30 years. Combining new technology with proven rugged design makes this equipment suitable on any mining or heavy industrial application.

These models have been installed on the cab and electrical rooms of large pieces of mining machinery for many years with excellent reliability and levels of customer satisfaction. This includes draglines and shovel cabs plus power control rooms.

As well as integrated systems, Bergstrom's range of heavy duty T Series off highway vehicle air conditioners, available in split or packaged systems, provide greater operator comforts in applications such as:

- Agriculture
- Mining
- Road Construction
- Earth Moving





Filtration & Pressurization Systems

Options

In addition to dust filters, the following options are also available:

Filters which remove gaseous contaminants often generated at industrial processing sites in enclosed spaces (such as underground mining)

A wide range of electrical supplies to suite site availability

Larger capacities

New air conditioning equipment that has higher capacity in cooling, heating and also has heavily upgraded filtration systems to be compatible with higher standards of indoor air quality

Air compressor/receiver sets to suit self-cleaning filters

Product Data & Specifications

Technical Specifications:						
Model	FVV50	FVV60	FVV150	FVV100	FVF120	FFR6
Type of Unit	filter/blower	filter/blower	filter/blower	filter/blowers	filter/blowers	cool/heat/filters
Voltages Available V.D.C.	12 or 24	12 or 24	12 or 24	12 or 24	n/a	12 or 24
Voltages Available V.A.C.	n/a	115-1-50/60	115-1-50/60	115-1-50/60	115-1-50/60	115-1-50/60
Pressurizer Watts @ 24vdc	120	150	150	300	n/a	150
Pressurizer Watts @ 115vac	n/a	200	200	400	400	200
Pressurizer Airflow:						FVV60 FVV100
Clear filter, 0.00" w.c. ESP	85cfm-40l / s	170cfm-80l / s	315cfm-150l / s	365cfm-175l / s	365cfm-175l / s	170cfm 365cfm
0.25" w.c. ESP	18cfm-9l / s	145cfm-70l / s	235cfm-110l / s	325cfm-155l / s	325cfm-155l / s	145cfm 325cfm
0.50" w.c. ESP	5cfm-2.5l / s	126cfm-60l / s	210cfm-100l / s	285cfm-135l / s	260cfm-125l / s	126cfm 285cfm
Max. Fan Static Pressure Available	0.65" w.c.	2.5" w.c.	2.2" w.c.	5.3" w.c.	4.7" w.c.	2.5" w.c. 5.3" w.c.
No. of Blower / Motors	1	1	1	2	2	1
No. of Motor Speeds	1	1	1	1	Variable Speed	2
Method of Speed Change				manual	Auto Pres. Transducer	manual
Pre-Cleaner ---Roughing	1	1	1	n/a	n/a	1
Pre-Filter ---- Disposable	n/a	n/a	n/a	n/a	n/a	12" x 24" x 1"
No. of Final Filter Elements	1	1	2	1	8	2
Permanent Filter Size	5"Dia x 11"Lg	6.5"Dia x 14"Lg	14.5"Dia x 24"Lg	6"Dia x 13"Lg	5"Dia x 24"Lg	13"H x 25"Lg
Type of Permanent Filter	Pleated	Pleated	Pleated	Pleated	Teflon Coated	Pleated
Filter Material	Paper	Paper	Paper	Spun Polyester	Polyester Sock	Spun Polyester
Filtration Efficiency	See Note	See Note	See Note	99% @ 0.3 microns	99% @ 0.3 microns	99% @ 0.3 microns
Outlet Spigot	2.75" x 4.25"	3.63" x 3.63"	5.5" Dia.	4" Dia.	6" Dia.	n/a
Compressed Air Inlet				3/8" FPT	3/8" FPT	
Compressed Air Pres. Req'd				60-100psig	60-100psig	
Mounting Type	Foot	Foot	Foot	Wall	Foot	Roof
Cleaning Trigger				Adjustable Timer	Adjustable Timer	
Motor External Protection	no	no	no	Circuit Breaker	Circuit Breaker	Circuit Breaker
Internal Thermal Prot.	yes	yes	yes	yes	yes	yes
Pressurizer Casing Mat'l	Painted Steel	Plastic	Stainless Steel	Stainless Steel	Stainless Steel	Plastic
Weight	17lb/7.7kg	21lb/9.5kg	87lb/40kg	100lb/45kg	285lb/130kg	325lb/148kg

Note #1: Air Cleaner Test, SAE J126, which includes 12% in the 0 - 5 micron range.

Note #2: 1" w.c. = 250 pascals

F Series

Filtration & Pressurization Systems

**FVV50 Pressurizer**

This is a basic pressurizer for 12 and 24 V DC. It is suitable for well sealed cabs and enclosures. The typical application is as an auxiliary piece of equipment to BES's 'T' series air conditioners.

A welded steel base construction and impact resistant plastic cover, along with plenty of performance, ensure a comfortable environment.

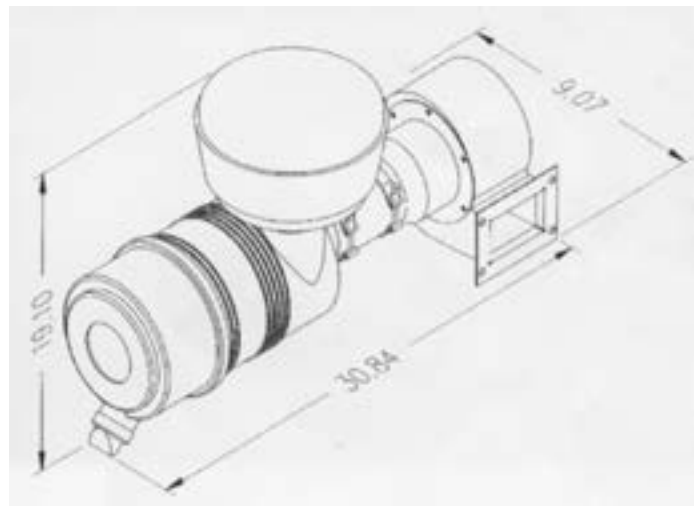
**FVV60 Pressurizer**

This configuration is a recent BES development that utilizes a plastic filter housing and in-stream motor arrangement. Performance, static pressure and air delivery, are better than the FVV50, the system is quieter, the filter surface is larger, the motor runs cooler and there is the added flexibility that the canister can be relocated to a remote site and ducting run between the blower and filter. The system is available in 12 and 24 V DC and 110 V single phase A.C.

Technical Specifications:

Model	FVV50	FVV60
Type of Unit	filter/blower	filter/blower
Voltages Available V.D.C.	12 or 24	12 or 24
Voltages Available V.A.C.	n/a	115-1-50/60
Pressurizer Watts @ 24vdc	120	150
Pressurizer Watts @ 115vac	n/a	200
Pressurizer Airflow:		
Clear filter, 0.00" w.c. ESP	85cfm-40l / s	170cfm-80l / s
0.25" w.c. ESP	18cfm-9l / s	145cfm-70l / s
0.50" w.c. ESP	5cfm-2.5l / s	126cfm-60l / s
Max. Fan Static Pressure Available	0.65" w.c.	2.5" w.c.
No. of Blower / Motors	1	1
No. of Motor Speeds	1	1
Method of Speed Change		
Pre-Cleaner ---Roughing	1	1
Pre-Filter ---- Disposable	n/a	n/a
No. of Final Filter Elements	1	1
Permanent Filter Size	5"Dia x 11"Lg	6.5"Dia x 14"Lg
Type of Permanent Filter	Pleated	Pleated
Filter Material	Paper	Paper
Filtration Efficiency	See Note	See Note
Outlet Spigot	2.75" x 4.25"	3.63" x 3.63"
Compressed Air Inlet		
Compressed Air Pres. Req'd		
Mounting Type	Foot	Foot
Cleaning Trigger		
Motor External Protection	no	no
Internal Thermal Prot.	yes	yes
Pressurizer Casing Mat'l	Painted Steel	Plastic
Weight	17lb/7.7kg	21lb/9.5kg

Note #1: Air Cleaner Test, SAE J126, which includes 12% in the 0 - 5 micron range.
Note #2: 1" w.c. = 250 pascals



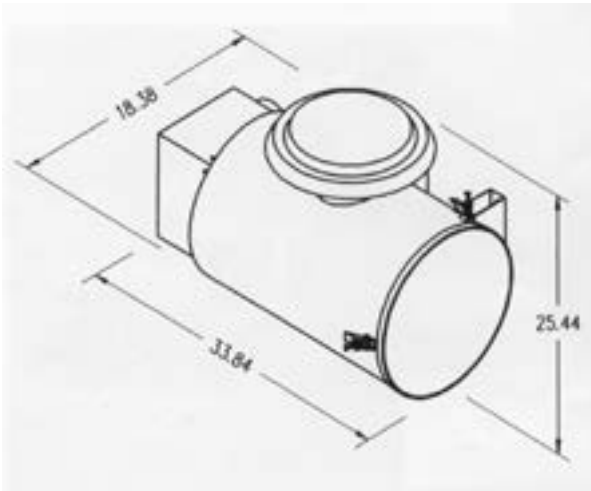
Filtration & Pressurization Systems

This is the largest of our particulate filters that require manual cleaning and are suitable for very dusty applications with extended intervals between cleaning. The element is from a 16" Donaldson STG housing and is typically used as an engine intake filter on off-highway machinery.

A safety filter is also included as standard and the system is available in AC or DC configurations.



FVV150 Pressurizer



Technical Specifications:

Model	FVV150
Type of Unit	filter/blower
Voltages Available V.D.C.	12 or 24
Voltages Available V.A.C.	115-1-50/60
Pressurizer Watts @ 24vdc	150
Pressurizer Watts @ 115vac	200
Pressurizer Airflow:	
Clear filter, 0.00" w.c. ESP	315cfm-150l / s
0.25" w.c. ESP	235cfm-110l / s
0.50" w.c. ESP	210cfm-100l / s
Max. Fan Static Pressure Available	2.2" w.c.
No. of Blower / Motors	1
No. of Motor Speeds	1
Method of Speed Change	
Pre-Cleaner ---Roughing	1
Pre-Filter ---- Disposable	n/a
No. of Final Filter Elements	2
Permanent Filter Size	14.5"Dia x 24"Lg
Type of Permanent Filter	Pleated
Filter Material	Paper
Filtration Efficiency	See Note
Outlet Spigot	5.5" Dia.
Compressed Air Inlet	
Compressed Air Pres. Req'd	
Mounting Type	Foot
Cleaning Trigger	
Motor External Protection	no
Internal Thermal Prot.	yes
Pressurizer Casing Mat'l	Stainless Steel
Weight	87lb/40kg

Note #1: Air Cleaner Test, SAE J126, which includes 12% in the 0 - 5 micron range.

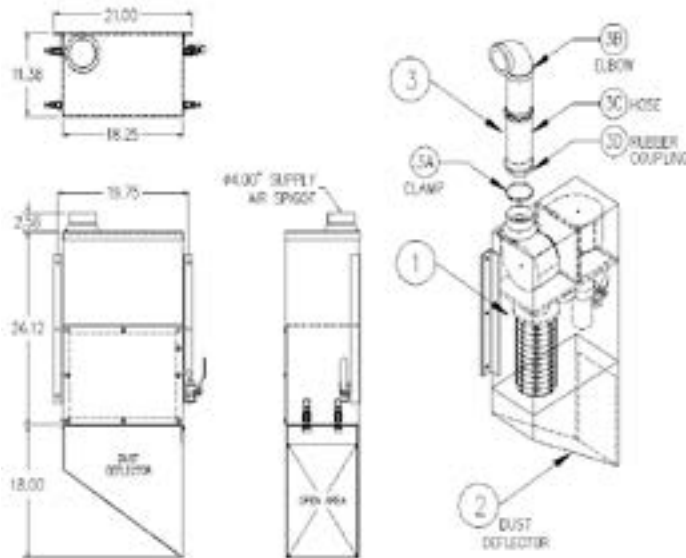
Note #2: 1" w.c. = 250 pascals

F Series

Filtration & Pressurization Systems



FVW 100



BES has designed this system for use on cabs and enclosures of typically heavy diesel driven machinery; ideally where a compressed air source is available. As with the larger FVF120 alternating current version, two fans are mounted in series to provide high static pressure capability without the need to introduce large volumes of air which will require conditioning prior to admission to the enclosed space.

Air is drawn through a heavy-duty pleated filter by two fans and discharged out the top of the unit for ducting to the air conditioner. As with the larger unit, the fans will run for a time period, stop for a while and then compressed air is discharged into the filter element and dust is removed. The cycle times are adjustable to suit site conditions.

Technical Specifications:

Model	FVW100
Type of Unit	filter/blowers
Voltages Available V.D.C.	12 or 24
Voltages Available V.A.C.	115-1-50/60
Pressurizer Watts @ 24vdc	300
Pressurizer Watts @ 115vac	400
Pressurizer Airflow:	
Clear filter, 0.00" w.c. ESP	365cfm-175l / s
0.25" w.c. ESP	325cfm-155l / s
0.50" w.c. ESP	285cfm-135l / s
Max. Fan Static Pressure Available	5.3" w.c.
No. of Blower / Motors	2
No. of Motor Speeds	1
Method of Speed Change	manual
Pre-Cleaner ---Roughing	n/a
Pre-Filter ---- Disposable	n/a
No. of Final Filter Elements	1
Permanent Filter Size	6" Dia x 13"Lg
Type of Permanent Filter	Pleated
Filter Material	Spun Polyester
Filtration Efficiency	99% @ 0.3 microns
Outlet Spigot	4" Dia.
Compressed Air Inlet	3/8" FPT
Compressed Air Pres. Req'd	60-100psig
Mounting Type	Wall
Cleaning Trigger	Adjustable Timer
Motor External Protection	Circuit Breaker
Internal Thermal Prot.	yes
Pressurizer Casing Mat'l	Stainless Steel
Weight	100lb/45kg



Filtration & Pressurization Systems



FVF120

BES designed the FVF120 to suit main powered electrical equipment and baghouse technology has been adopted on a smaller scale. The heart of the unit consists of eight teflon coated elements housed on wire frame structures fitted with a venturi tube air delivery.

Two backward curve fans, mounted in series to increase static pressure, provide a number of control options that include:

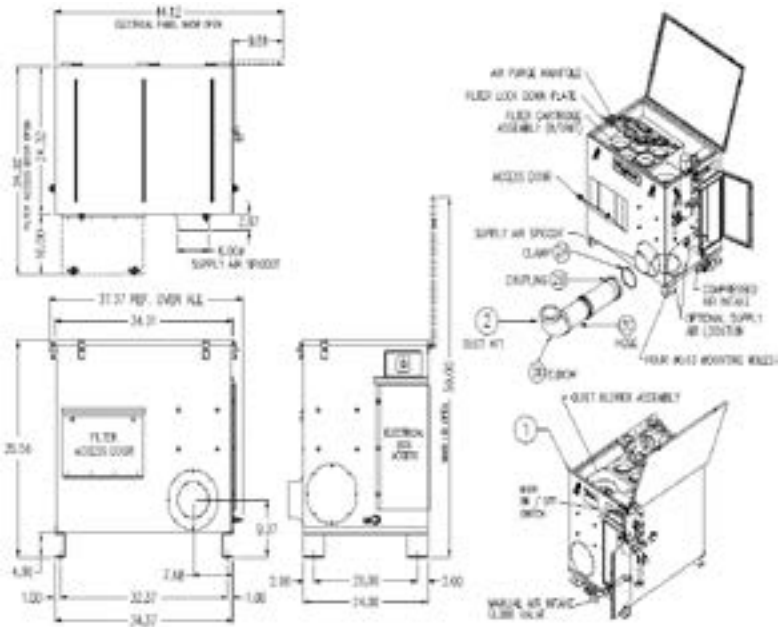
Two stage operation with the second fan coming on with drop in room pressure, alternatively

Automatic speed control according to room pressure, infinitely variable. This is done by mounting an adjustable pressure transducer in the room and a matched control in the unit

The system is equipped with a receiver tank and solenoid valves for cleaning the air filtration system. The back-flush cycle is on a variable time basis which is determined by site conditions. After a pre-set time, the fans will stop to assist the purging process with compressed air. After another time delay, fans will start up again.

The system has been designed as a stand-alone device and has the capacity to have up to three air discharge outlets from its base. Standard electrical power supply is 110 V-1PH-50/60HZ.

Technical Specifications:	
Model	FVF120
Type of Unit	filter/blowers
Voltages Available V.D.C.	n/a
Voltages Available V.A.C.	115-1-50/60
Pressurizer Watts @ 24vdc	n/a
Pressurizer Watts @ 115vac	400
Pressurizer Airflow:	
Clear filter, 0.00" w.c. ESP	365cfm-175l / s
0.25" w.c. ESP	325cfm-155l / s
0.50" w.c. ESP	260cfm-125l / s
Max. Fan Static Pressure Available	4.7" w.c.
No. of Blower / Motors	2
No. of Motor Speeds	Variable Speed
Method of Speed Change	Auto Pres. Transducer
Pre-Cleaner ---Roughing	n/a
Pre-Filter ---- Disposable	n/a
No. of Final Filter Elements	8
Permanent Filter Size	5"Dia x 24"Lg
Type of Permanent Filter	Teflon Coated
Filter Material	Polyester Sock
Filtration Efficiency	99% @ 0.3 microns
Outlet Spigot	6" Dia.
Compressed Air Inlet	3/8" FPT
Compressed Air Pres. Req'd	60-100psig
Mounting Type	Foot
Cleaning Trigger	Adjustable Timer
Motor External Protection	Circuit Breaker
Internal Thermal Prot.	yes
Pressurizer Casing Mat'l	Stainless Steel
Weight	285lb/130kg



M Series

BES has been designing and manufacturing main powered self-contained electric air conditioning equipment for over 30 years. Combining new technology with proven rugged design makes this equipment suitable on any mining or heavy industrial application.

Standard features include:

- Heavy gauge stainless steel construction
- Ease of service with over-center door catches
- Hinged covers with gas struts for quick access
- Industrial quality construction and componentry
- Wide fin pitch to reduce coil clogging
- Large heat exchangers for high ambient temps
- Capacity controls to enhance operation over a wide temperature range
- Electronic temperature controls to provide precise control in any environment
- Flexibility in mounting hardware to enable several configurations with the same unit
- Uses environmentally friendly refrigerant 134a

Available Power Options:

- 208-230/1/60
- 200-230/3/60
- 200-220/3/50
- 380-415/3/50
- 460/3/60
- 460/3/50
- 575/3/60

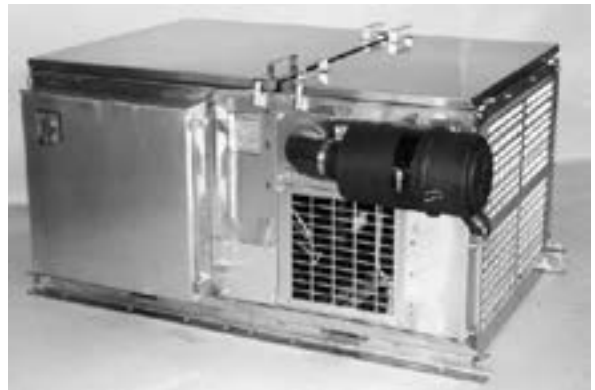
A variety of control voltages also available

Special Options:

- Coated Coils
- Alternative High Ambient Refrigerants
- Inverter Operation



MPV5



MPV9



Product Data & Specifications

Technical Specifications:						
Model	MPV5		MPV9		BES3800	
Cooling Capacity	18,000 btu/hr	5.2 kw	31,000 btu/hr	8.9 kw	37,500 btu/hr	11.0 kw
Heating Capacity	34,000 btu/hr	10.0 kw	41,000 btu/hr	12.0 kw	61,000 btu/hr	182.0 kw
Heating Stages	two		two		two	
Airflow - High Speed	600 cfm	280 l/s	1300 cfm	610 l/s	1300 cfm	610 l/s
Airflow - Low Speed	500 cfm	240 l/s	870 cfm	410 l/s	870 cfm	410 l/s
Weight	540 lbs	245 kg	1300 lbs	590 kg	1400 lbs	635 kg
Compressor Type	scroll		scroll		scroll	
Number of Cylinders	n/a		n/a		n/a	
Pressurization	120 cfm	56 l/s	120 cfm	56 l/s	120 cfm	56 l/s
Controls	110 VAC		110 VAC		110 VAC	
Motor Protection	Circuit Breaker		Circuit Breaker		Circuit Breaker	
	Thermal Overload		Thermal Overload		Thermal Overload	
Compr. Capacity Control	none		none		none	
Condenser Fan	1 speed		1 speed		1 speed	
Refrigerant Metering	TXV		TXV		TXV	
Thermostat-Electronic 5 Stage	Standard		Standard		Standard	
					Also Available as a Split System	

Rating Conditions: Cooling Capacity - Indoor 80°F DB/67°F WB with Outdoor 110°F DB/60°F WB

Heating Capacity @ Rated Voltage

For capacities at ARI Std. 210 conditions of cooling capacity, with Indoor 80°F DB/67°F WB and Outdoor 95°F DB/75°F WB add approximately 7.5% to rated capacity.

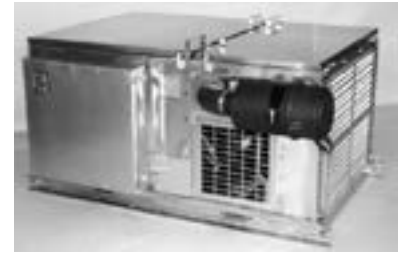
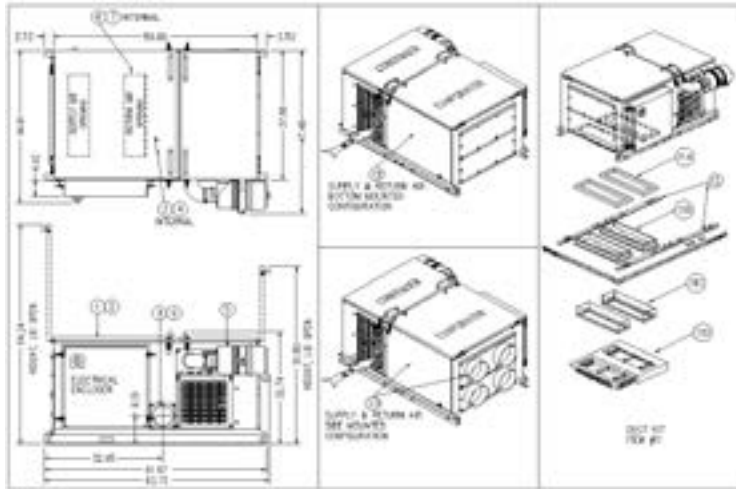
Above Spec based on 460/30/60 versions heating and coling, capacities may vary depending on supplied voltage.

MPV9 mounts to exact same footprint as MPV8

BES has listened to the market and refined the previous MPV8 to make it the system of choice for OEM's on new or rebuilt machinery, and users on retrofit programs. This is a very new model and incorporates many features which make it ideal for heavy duty applications.

Standard features include:

- Triple gasketed evaporator cover to eliminate dust and water ingress
- Positively pressurized electrical cubicle to keep dust and water out
- Very easy to service and keep clean
- Quiet operation with large scroll compressor
- Higher capacity to handle increased cooling and heating loads due to increases in amounts of pressurization air
- Pressurizer intake is from condenser fan discharge, so no pre-cleaner is required (which usually fills up with snow and water)
- 5 stage electronic thermostat with remote control to allow the operator precise control of comfort level
- Compatible with new automatic cleaning pressurizers
- Head pressure control for operation in cooler climates without sacrificing performance in hot locations
- System can be configured to have supply and return air out the front face for those applications where rooftop just won't work
- MPV9 mounts to exact same footprint as MPV8



MPV9

Technical Specifications:

Model	MPV9	
Cooling Capacity	31,000 btu/hr	8.9 kw
Heating Capacity	41,000 btu/hr	12.0 kw
Heating Stages	two	
Airflow - High Speed	1300 cfm	610 l/s
Airflow - Low Speed	870 cfm	410 l/s
Weight	1300 lbs	590 kg
Compressor Type	scroll	
Number of Cylinders	n/a	
Pressurization	120 cfm	56 l/s
Controls	110 VAC	
Motor Protection	Circuit Breaker Thermal Overload	
Compr. Capacity Control	none	
Condenser Fan	1 speed	
Refrigerant Metering	TXV	
Thermostat-Electronic 5 Stage	Standard	

MPV9 mounts to exact same footprint as MPV8

BES designed this system for the smaller cab of mining and industrial equipment. Installation is very easy and the designer can select from either rooftop with base supply and return openings, or mount on an adjacent deck and duct through the front face. Return air can be drawn from both openings while the supply is limited to a single outlet.

Standard features include:

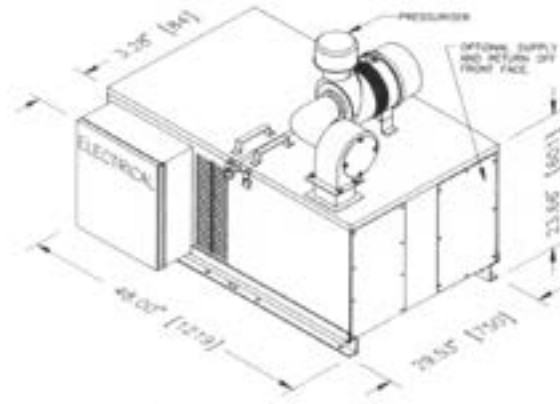
- Numerous voltages available
- Quiet and efficient scroll compressors
- Two stage electric heat
- Positive fan forced pressurization
- Sealed electrical cubicle
- 5 stage electronic thermostat with remote control for operator comfort
- Compatible with new automatic cleaning pressurizer



MPV5

Technical Specifications:

Model	MPV5	
Cooling Capacity	18,000 btu/hr	5.2 kw
Heating Capacity	34,000 btu/hr	10.0 kw
Heating Stages	two	
Airflow - High Speed	600 cfm	280 l/s
Airflow - Low Speed	500 cfm	240 l/s
Weight	540 lbs	245 kg
Compressor Type	scroll	
Number of Cylinders	n/a	
Pressurization	120 cfm	56 l/s
Controls	110 VAC	
Motor Protection	Circuit Breaker Thermal Overload	
Compr. Capacity Control	none	
Condenser Fan	1 speed	
Refrigerant Metering	TXV	
Thermostat-Electronic 5 Stage	Standard	



Rating Conditions: Cooling Capacity - Indoor 80°F DB/67°F WB with Outdoor 110°F DB/60°F WB

Heating Capacity @ Rated Voltage

For capacities at ARI Std. 210 conditions of cooling capacity, with Indoor 80°F DB/67°F WB and Outdoor 95°F DB/75°F WB add approximately 7.5% to rated capacity.

T Series

These rooftop packages are suitable for use with remote compressors and are typically in 12 or 24V DC.

Both units are designed for mining and industrial use and incorporate the highest quality componentry, construction and serviceability features.

The TDR5 is suitable for drills and heavy trucks while the TDR4 is for rubber tired machinery. Both are stainless and operate on 134a refrigerant.

Options:

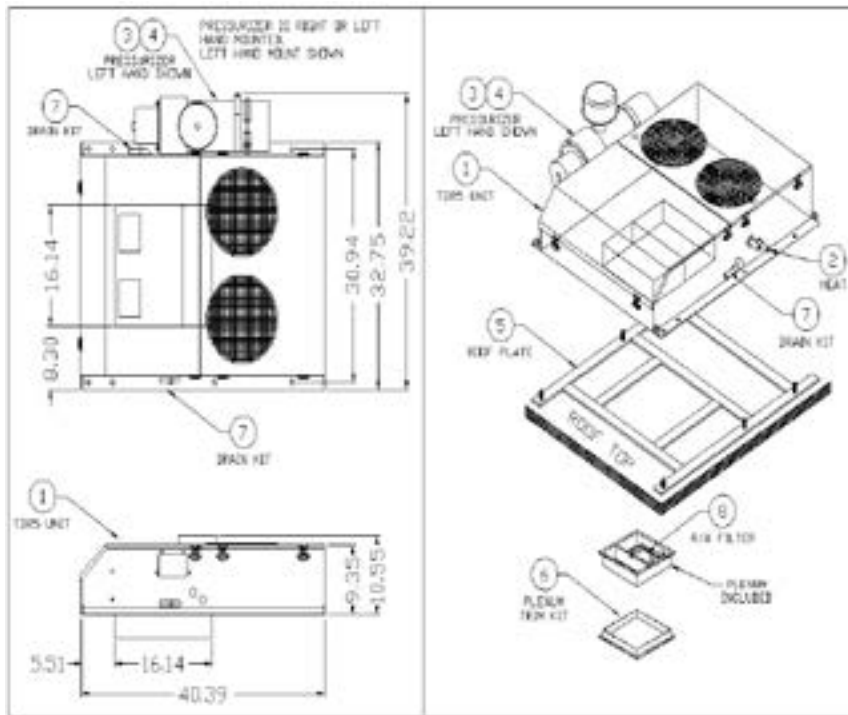
Coated Coils

Alternative Voltages

Hydraulic Power Packs



TDR5



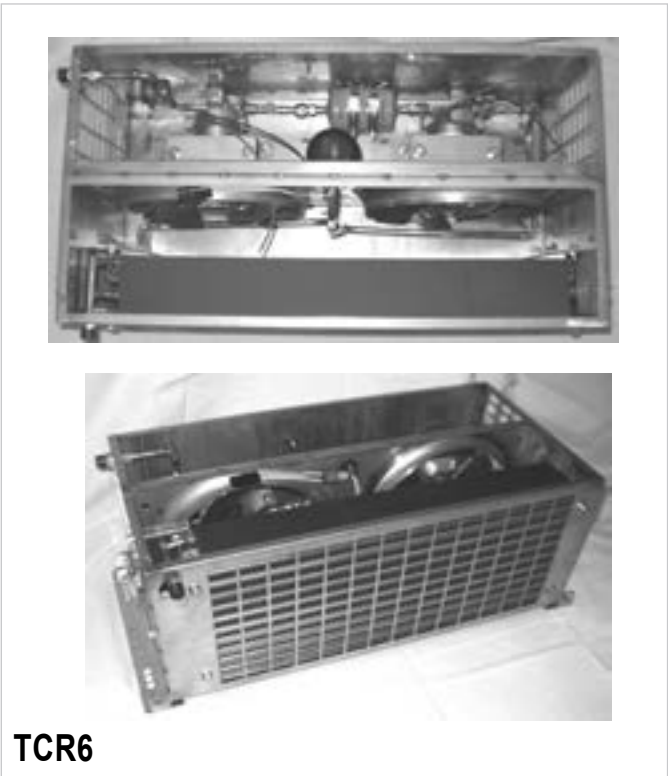
Technical Specifications:		
Model	TDR5	
Weight	300 lbs	136 kg
Cooling Capacity	18,000 btu/hr	5.2 kw
Heating-Hot Water	35,000 btu/hr	10.0 kw
Airflow - High	400 cfm	190 l/s
Airflow - Med	350 cfm	165 l/s
Airflow - Low	300 cfm	140 l/s
Pressurization	110 cfm	50 l/s
Condenser Motors	2 Fully Sealed	
Condenser Fans	10"	250mm
Evaporator Motor	2 Fully Sealed	
Evaporator Fans	2 Single Inlet	
Motor Protection	Circuit Breakers	



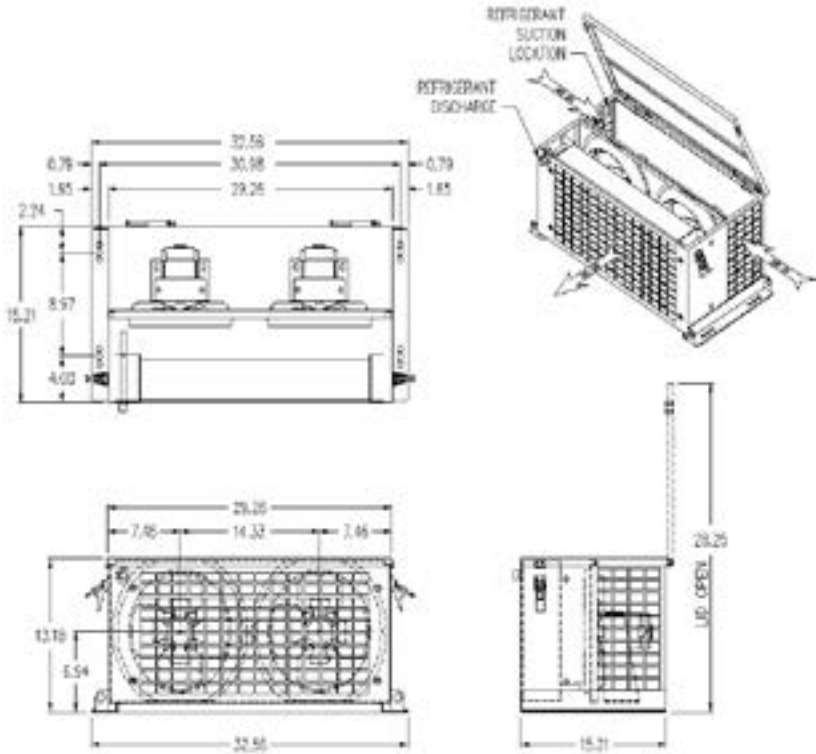
The TCR6 condenser package is used in conjunction with BES units FFR6 & TPR6 24V versions.

The TCR6 package is constructed from heavy gauge stainless steel.

Technical Specifications:	
Model	TCR6
Capacity	For use up to 22,000 Btu/Hr
Airflow	2400 CFM



TCR6



Product Identification			
Item No.	TCR6 (12V)	TCR6 (24V)	Description
1	TCR6AX1C	TCR6BX1C	CONDENSER PACKAGE



Same mounting as the TDR5, so field retrofit is easy.

Filtration & Pressurization Systems



FFR6

In order to completely address the dust problem at a mine site, a combination of good pressurization and high quality return air filtration is required in the air conditioning unit. BES has designed the FFR6 unit with the following goals:

Higher heating (30,000 btu/hr) and cooling capacity (22,000 btu/hr) and airflow (450 cfm) than the TDR5, to accommodate higher amounts of outside pressurization air

Larger return air filter and a low cost disposable first stage filter, which will eliminate maintenance between machine service days. Consequently, no one gets covered in dust while cleaning filters.

High efficiency, servicable, final filter to ensure extremely clean air is supplied to the cab.

Optional pressurization systems; either FVV60, as shown, or FVV100 for a total treatment.

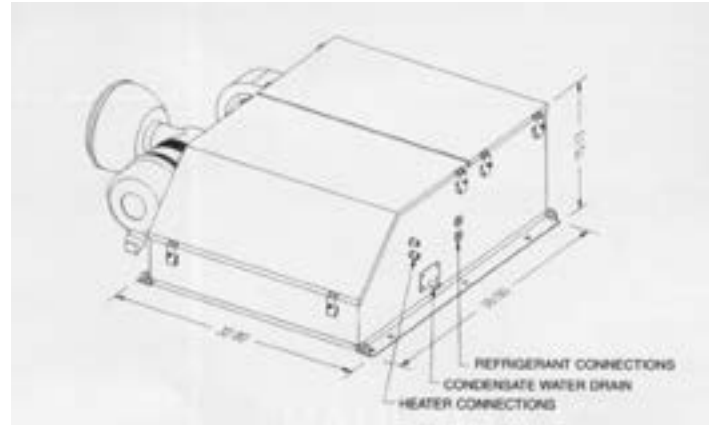
Electronic temperature control for optional in-console mounting.

A choice of either radiator mounted or fan forced condensers.

Same mounting as the TDR5, so field retrofit is easy.

Technical Specifications:

Model	FFR6	
Type of Unit	cool/heat/filters	
Voltages Available V.D.C.	12 or 24	
Voltages Available V.A.C.	115-1-50/60	
Pressurizer Watts @ 24vdc	150	
Pressurizer Watts @ 115vac	200	
Pressurizer Airflow:	FVV60	FVV100
Clear filter, 0.00" w.c. ESP	170cfm	365cfm
0.25" w.c. ESP	145cfm	325cfm
0.50" w.c. ESP	126cfm	285cfm
Max. Fan Static Pressure Available	2.5" w.c.	5.3" w.c.
No. of Blower / Motors	1	
No. of Motor Speeds	2	
Method of Speed Change	manual	
Pre-Cleaner ---Roughing	1	
Pre-Filter ---- Disposable	12" x 24" x 1"	
No. of Final Filter Elements	2	
Permanent Filter Size	13"H x 25"Lg	
Type of Permanent Filter	Pleated	
Filter Material	Spun Polyester	
Filtration Efficiency	99% @ 0.3 microns	
Outlet Spigot	n/a	
Compressed Air Inlet		
Compressed Air Pres. Req'd		
Mounting Type	Roof	
Cleaning Trigger		
Motor External Protection	Circuit Breaker	
Internal Thermal Prot.	yes	
Pressurizer Casing Mat'l	Plastic	
Weight	325lb/148kg	



Same mounting as the TDR5, so field retrofit is easy.

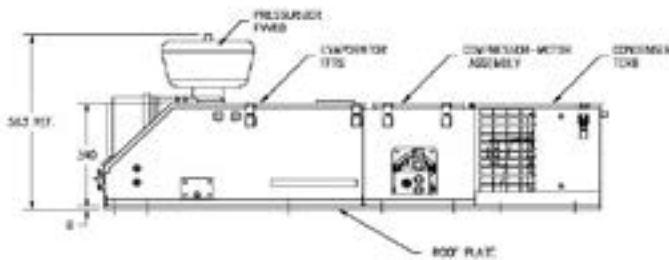
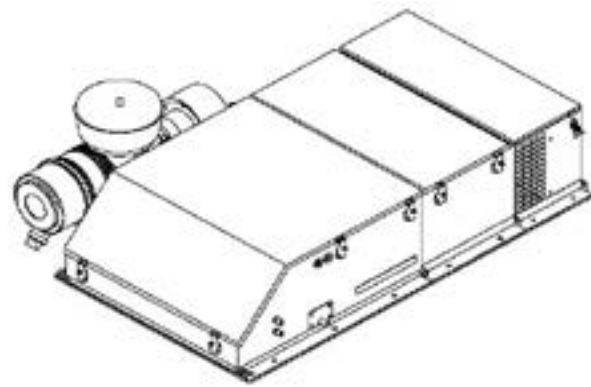
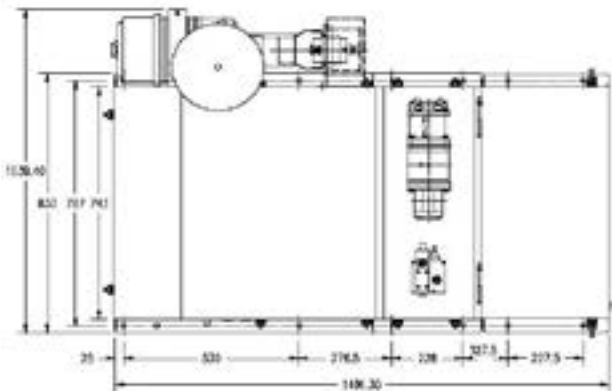
The TPR6 has been designed to provide high levels of air filtration and also offer climate control through refrigeration for cooling and hot water for heating. It is designed for rooftop mounting. The compressor is driven hydraulically and is mounted within the unit.

The package comprises 4 basic modules.

- Heater, air conditioner, return air filter.
- Outside fan forced filtration and pressurization system.
- Hydraulic motor compressor set, control head, pressure relief and flow control valve.
- Fan forced condenser assembly



TPR6



Technical Specifications:

Model	TPR6BX1C
Type of Unit	air conditioner
Compressor Power	hydraulic
Cooling Capacity	22,500 BTU/hr (6 kw) at 100°F and 81°F FDB/67°F WB (38°C and 27/19°C) Return Air
Heating Capacity	At 180°F (81°C) water is 40,000 BTU/hr.
Air Flow	450 cfm max.
Weight (lbs/kg)	

Product Identification

Item No.	TPR6 (12V)	TPR6 (24V)	Description
1	N/A	TPR6BX1C	TPR6 Self-Contained Hydraulic AC Unit

Hydraulically driven compressor.

The TPW5 unit is suited for, Loaders, Walkway or Deck Mounting.

The TPW5 unit is constructed from heavy gauge stainless steel.

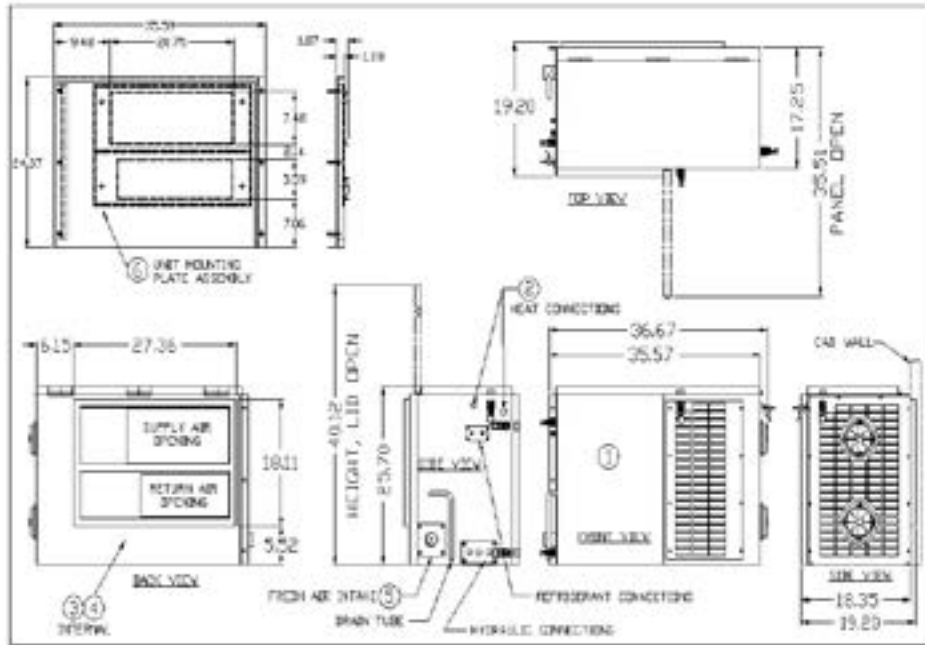
Hydraulically driven compressor.



TPW5

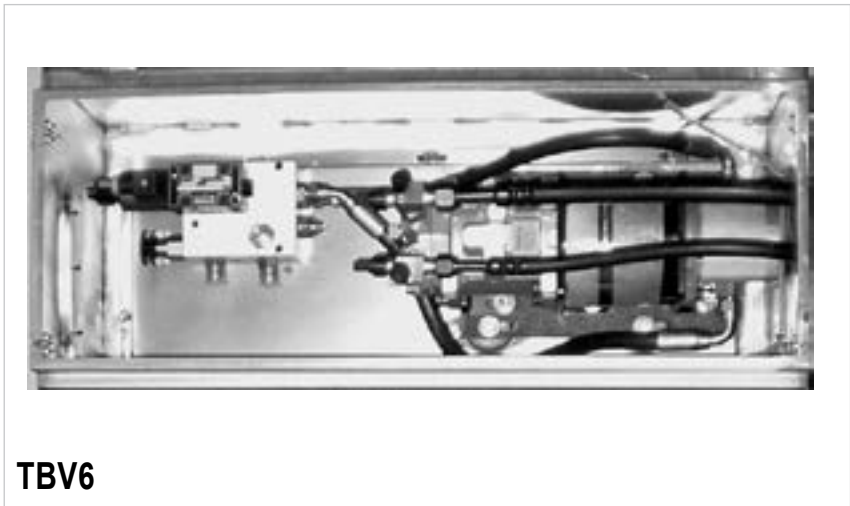
Technical Specifications:

Model	TPW5
Cooling Capacity	18,000 btu/hr
Heating Capacity	40,000 btu/hr

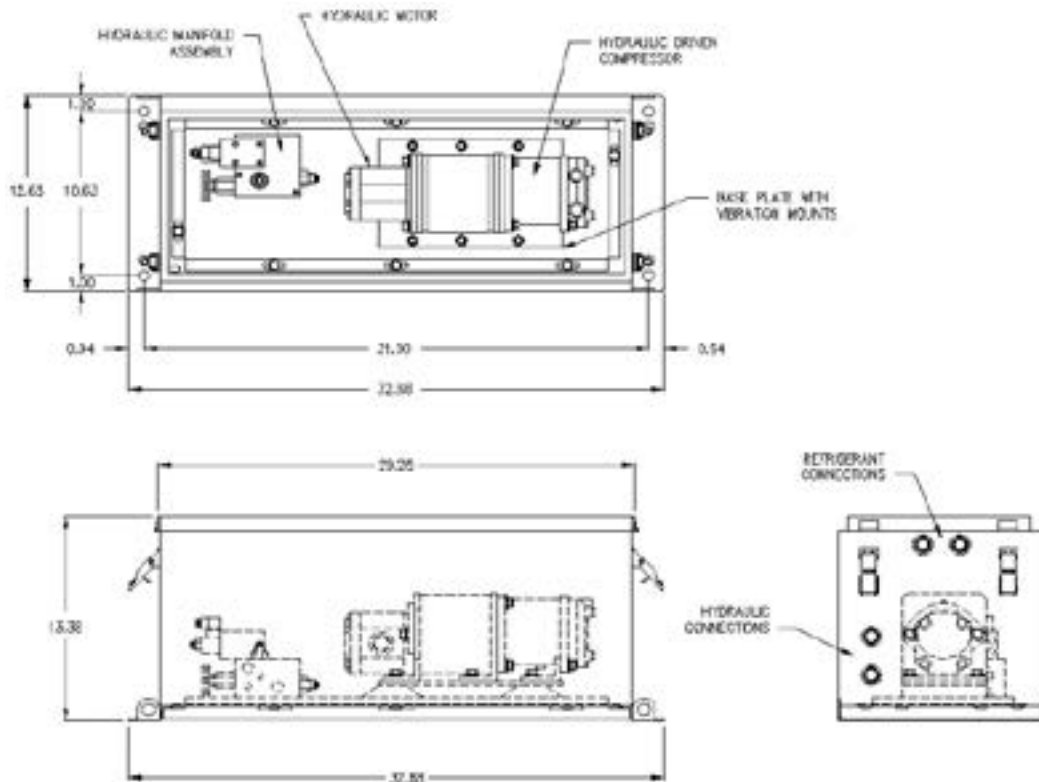


The TBV6 hydraulic compressor package is used in conjunction with BES units EC5, TDR5, FFR6, TPR6 & TPR4 12V versions.

The TBV6 package is constructed from heavy gauge stainless steel.



TBV6



Product Identification			
Item No.	TBV6 (12V)	TBV6 (24V)	Description
1	TBV6AX1C	TBV6BX1C	HYDRAULIC COMPRESSOR PACKAGE

